

**ATEX Compliant**

**5 Port Solenoid Valve**

# Series 56-VQC1000



Manifold with M- or T- kit  
II 3G Ex nA IIB T5 Gc  
II 3D Ex tc IIIC T80°C Dc

(Note) Refer to Serial transmission system on page 30 for the S kit.

## How to Order Manifold

**56-VV5QC 1 1 -08 C3 TD0 N - [ ] ..... M/T/S Kit**

• ATEX category 3

Series 56-VQC1000

Base mounted plug-in

Stations

|    |           |
|----|-----------|
| 01 | 1 station |
| :  | :         |

The minimum or maximum number of stations differs depending on the electrical entry. (Refer to "Electrical Entry/Cable Length")

Cylinder port size

|           |  |
|-----------|--|
| <b>C3</b> | With ø3.2 One-touch fitting                      |
| <b>C4</b> | With ø4 One-touch fitting                        |
| <b>C6</b> | With ø6 One-touch fitting                        |
| <b>M5</b> | M5 thread  |
| <b>CM</b> | Mixed sizes and with port plug                   |
| <b>L3</b> | Top ported elbow, with ø3.2 One-touch fitting    |
| <b>L4</b> | Top ported elbow, with ø4 One-touch fitting      |
| <b>L6</b> | Top ported elbow, with ø6 One-touch fitting      |
| <b>L5</b> | M5 thread  |
| <b>LM</b> | Elbow port, mixture sizes                        |
| <b>B3</b> | Bottom ported elbow, with ø3.2 One-touch fitting |
| <b>B4</b> | Bottom ported elbow, with ø4 One-touch fitting   |
| <b>B6</b> | Bottom ported elbow, with ø6 One-touch fitting   |
| <b>B5</b> | M5 thread  |
| <b>BM</b> | Elbow for bottom port, mixture sizes             |

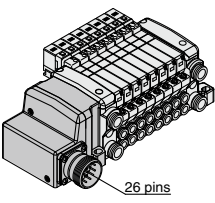
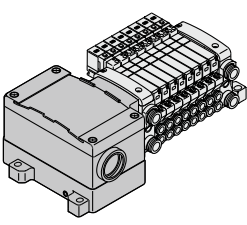
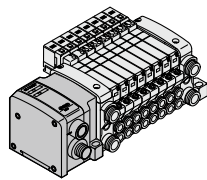
• Option

|            |  |
|------------|--|
| <b>Nil</b> | None   |
| <b>B</b>   | All stations with back pressure check valve          |
| <b>D</b>   | With DIN rail (Rail length: Standard)                |
| <b>D□</b>  | With DIN rail (Rail length: Special)                 |
| <b>K</b>   | Special wiring specifications (Except double wiring) |
| <b>N</b>   | With name plate                                      |
| <b>R</b>   | External pilot                                       |

• COM

|          |       |
|----------|-------|
| <b>N</b> | -COM. |
|----------|-------|

• Kit designation/Electrical entry/Cable length

| <b>M</b> Kit<br>(Circular connector kit)  | <b>T</b> Kit<br>(Terminal block box kit)  | <b>S</b> Kit<br>(Serial transmission kit: EX500 gateway type)   |                  |            |   |          |            |   |                           |            |   |  |  |            |                        |   |   |             |             |  |
|---|---|---|------------------|------------|---|----------|------------|---|---------------------------|------------|---|--|--|------------|------------------------|---|---|-------------|-------------|--|
|  <p>26 pins</p>  |  |  <p>SI unit: <b>56-EX500</b></p> <p>(Note) A separate gateway unit and communication cable are required.</p> |                  |            |   |          |            |   |                           |            |   |  |  |            |                        |   |   |             |             |  |
| <table border="1"> <tr> <td><b>MD0</b></td> <td>Circular connector kit (26P) without cable</td> <td>1 to 12 stations</td> </tr> <tr> <td><b>MD1</b></td> <td>Circular connector kit (26P) with 1.5 m cable</td> <td>stations</td> </tr> <tr> <td><b>MD2</b></td> <td>Circular connector kit (26P) with 3 m cable</td> <td>(Up to 24 solenoid coils)</td> </tr> <tr> <td><b>MD3</b></td> <td>Circular connector kit (26P) with 5 m cable</td> <td></td> </tr> </table> | <b>MD0</b>  | Circular connector kit (26P) without cable  | 1 to 12 stations | <b>MD1</b> | Circular connector kit (26P) with 1.5 m cable | stations | <b>MD2</b> | Circular connector kit (26P) with 3 m cable | (Up to 24 solenoid coils) | <b>MD3</b> | Circular connector kit (26P) with 5 m cable |  | <table border="1"> <tr> <td><b>TD0</b></td> <td>Terminal block box kit</td> <td>1 to 10 stations<br/>(Up to 20 solenoid coils)</td> </tr> </table> | <b>TD0</b> | Terminal block box kit | 1 to 10 stations<br>(Up to 20 solenoid coils) | <table border="1"> <tr> <td><b>SDA2</b></td> <td>PROFIBUS DP</td> <td>1 to 8 stations<br/>(Up to 16 solenoid coils)</td> </tr> </table> | <b>SDA2</b> | PROFIBUS DP | 1 to 8 stations<br>(Up to 16 solenoid coils) |
| <b>MD0</b>  | Circular connector kit (26P) without cable  | 1 to 12 stations  |                  |            |   |          |            |   |                           |            |   |  |  |            |                        |   |   |             |             |  |
| <b>MD1</b>  | Circular connector kit (26P) with 1.5 m cable                                       | stations  |                  |            |   |          |            |   |                           |            |   |  |  |            |                        |   |   |             |             |  |
| <b>MD2</b>  | Circular connector kit (26P) with 3 m cable   | (Up to 24 solenoid coils)   |                  |            |   |          |            |   |                           |            |   |  |  |            |                        |   |   |             |             |  |
| <b>MD3</b>  | Circular connector kit (26P) with 5 m cable   |   |                  |            |   |          |            |   |                           |            |   |  |  |            |                        |   |   |             |             |  |
| <b>TD0</b>  | Terminal block box kit  | 1 to 10 stations<br>(Up to 20 solenoid coils)   |                  |            |   |          |            |   |                           |            |   |  |  |            |                        |   |   |             |             |  |
| <b>SDA2</b>   | PROFIBUS DP   | 1 to 8 stations<br>(Up to 16 solenoid coils)  |                  |            |   |          |            |   |                           |            |   |  |  |            |                        |   |   |             |             |  |

\* The maximum number of stations displayed in parentheses is applied to the special wiring specifications. (Option "K")  
The maximum number of stations is determined by the total number of solenoids. (Single solenoid type: 1 point, Double solenoid type: 2 points)  
Make sure that the total number of solenoids does not exceed the maximum number of stations. Additionally, when combining with option parts, make sure that the maximum number of stations is not exceeded.

Contact SMC for 56-EX250 with Profibus DP

All other specifications are the same as the standard products Series VQC.  
[Click here](#) for details.

### How to Order Valves

56-VQC 1 1 0 0 □ - 5 □

ATEX category 3

Series 56-VQC1000

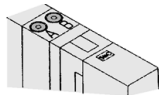
**Type of actuation**

|                    |                                  |
|--------------------|----------------------------------|
| 1                  | 2-position single                |
| 2                  | 2-position double (Metal)        |
| 2                  | 2-position double (Rubber)       |
| 3                  | 3-position closed centre         |
| 4                  | 3-position exhaust centre        |
| 5                  | 3-position pressure centre       |
| A <sup>Note)</sup> | 4-position dual 3 port valve (A) |
| B <sup>Note)</sup> | 4-position dual 3 port valve (B) |
| C <sup>Note)</sup> | 4-position dual 3 port valve (C) |

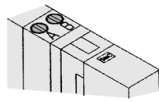
Note) For rubber seal type only.

**Manual override**

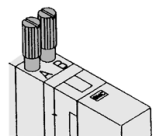
**Nil:** Non-locking push type (Tool required)



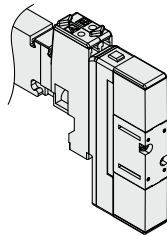
**B:** Locking type (Tool required)



**C:** Locking type (Manual)



**D:** Slide locking type (Manual)



**Coil voltage**

|   |        |
|---|--------|
| 5 | 24 VDC |
|---|--------|

**Function**

|                    |                    |
|--------------------|--------------------|
| Nil                | Standard type (1W) |
| R <sup>Note)</sup> | External pilot     |

Note) Not available for dual 3 port.

**Seal type**

|   |             |
|---|-------------|
| 0 | Metal seal  |
| 1 | Rubber seal |

### Manifold Option

| Ground terminal                         | 56-VQC1000        |
|---|-------------------|
| Blanking plate assembly                 | VVQ1000-10A-1     |
| Individual SUP spacer                   | VVQ1000-P-1-C6    |
| Individual EXH spacer                   | VVQ1000-R-1-C6    |
| SUP block plate                         | VVQ1000-16A       |
| EXH block plate                         | —                 |
| EXH block base assembly                 | VVQC1000-19A-□-□□ |
| Back pressure check valve assembly [-B] | VVQ1000-18A       |
| Port plug                               | VVQ0000-58A       |
| 2 stations matching fitting assembly    | VVQ1000-52A-C8    |
| Elbow fitting assembly                  | VVQ1000-F-L-□     |
| Port plug                               | VVQ0000-58A       |
| Blanking plug                           | KQ2P-□□           |
| DIN rail mounting bracket [-D]          | VVQ1000-57A(-S)   |
| Name plate [-N]                         | VVQ1000-N-□       |

Note) Please refer to standard catalogues for details.  
Do not use options other than specified in this table.  
Only these standard parts without "56-" prefix can be used.

Note) "56-" solenoid valve should be installed in "56-VV5QC11" manifold.  
Power consumption when starting is 1W, when maintaining 0.35W.  
"56-VQC" solenoid valve has no polarity"

**ATEX Compliant**

**5 Port Solenoid Valve**

# Series 56-VQC2000



CE Manifold with M- or T- kit  
II 3G Ex nA IIB T5 Gc  
II 3D Ex tc IIIC T80°C Dc

(Note) Refer to Serial transmission system on page 30 for the S kit.

## How to Order Manifolds

**56-VV5QC 2 1-08 C4 TD0 N - [ ] ..... M/T/S Kit**

• ATEX category 3

Series 56-VQC2000

Base-Mounted Plug-in

Stations

|    |           |
|----|-----------|
| 01 | 1 station |
| ⋮  | ⋮         |

The minimum or maximum number of stations differs depending on the electrical entry (refer to "Electrical entry/Cable length").

Cylinder port size

|           |   |
|-----------|---|
| <b>C4</b> | With ø4 One-touch fitting                     |
| <b>C6</b> | With ø6 One-touch fitting                     |
| <b>C8</b> | With ø8 One-touch fitting                     |
| <b>CM</b> | Mixed sizes and with port plug                |
| <b>L4</b> | Top ported elbow With ø4 One-touch fitting    |
| <b>L6</b> | Top ported elbow With ø6 One-touch fitting    |
| <b>L8</b> | Top ported elbow With ø8 One-touch fitting    |
| <b>LM</b> | Elbow port, mixture sizes                     |
| <b>B4</b> | Bottom ported elbow With ø4 One-touch fitting |
| <b>B6</b> | Bottom ported elbow With ø6 One-touch fitting |
| <b>B8</b> | Bottom ported elbow With ø8 One-touch fitting |
| <b>BM</b> | Elbow for bottom port, mixture sizes          |

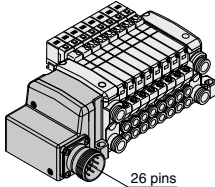
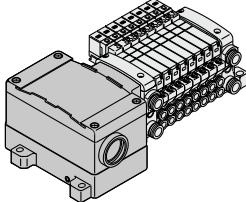
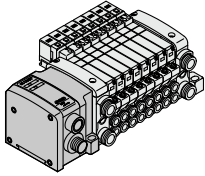
• Options

|            |  |
|------------|--|
| <b>Nil</b> | None   |
| <b>B</b>   | All stations with back pressure check valve              |
| <b>D</b>   | With DIN rail (rail length: standard)                    |
| <b>D□</b>  | With DIN rail (rail length: special)                     |
| <b>K</b>   | Special wiring specifications (except for double wiring) |
| <b>N</b>   | With name plate  |
| <b>R</b>   | External pilot   |
| <b>T</b>   | Branched P and R ports on U side                         |

• COM.

|          |       |
|----------|-------|
| <b>N</b> | -COM. |
|----------|-------|

• Kit designation/Electrical entry/Cable length

| <b>M</b> Kit<br>(Multiple connector kit)  | <b>T</b> Kit<br>(Terminal block box kit)  | <b>S</b> Kit<br>(Serial transmission kit: EX500 gateway type)   |                  |            |   |                           |            |   |            |   |  |            |                        |   |   |             |             |  |
|---|---|---|------------------|------------|---|---------------------------|------------|---|------------|---|--|------------|------------------------|---|---|-------------|-------------|--|
|  <p>26 pins</p>  |  |  <p>SI unit: <b>56-EX500</b></p> <p>(Note) A separate gateway unit and communication cable are required.</p> |                  |            |   |                           |            |   |            |   |  |            |                        |   |   |             |             |  |
| <table border="1"> <tr> <td><b>MD0</b></td> <td>Multiple connector kit (26P) without cable</td> <td>1 to 12 stations</td> </tr> <tr> <td><b>MD1</b></td> <td>Multiple connector kit (26P) with 1.5 m cable</td> <td rowspan="3">(Up to 24 solenoid coils)</td> </tr> <tr> <td><b>MD2</b></td> <td>Multiple connector kit (26P) with 3 m cable</td> </tr> <tr> <td><b>MD3</b></td> <td>Multiple connector kit (26P) with 5 m cable</td> </tr> </table> | <b>MD0</b>  | Multiple connector kit (26P) without cable  | 1 to 12 stations | <b>MD1</b> | Multiple connector kit (26P) with 1.5 m cable | (Up to 24 solenoid coils) | <b>MD2</b> | Multiple connector kit (26P) with 3 m cable | <b>MD3</b> | Multiple connector kit (26P) with 5 m cable | <table border="1"> <tr> <td><b>TD0</b></td> <td>Terminal block box kit</td> <td>1 to 10 stations<br/>(Up to 20 solenoid coils)</td> </tr> </table> | <b>TD0</b> | Terminal block box kit | 1 to 10 stations<br>(Up to 20 solenoid coils) | <table border="1"> <tr> <td><b>SDA2</b></td> <td>PROFIBUS DP</td> <td>1 to 8 stations<br/>(Up to 16 solenoid coils)</td> </tr> </table> | <b>SDA2</b> | PROFIBUS DP | 1 to 8 stations<br>(Up to 16 solenoid coils) |
| <b>MD0</b>  | Multiple connector kit (26P) without cable  | 1 to 12 stations  |                  |            |   |                           |            |   |            |   |  |            |                        |   |   |             |             |  |
| <b>MD1</b>  | Multiple connector kit (26P) with 1.5 m cable                                       | (Up to 24 solenoid coils)   |                  |            |   |                           |            |   |            |   |  |            |                        |   |   |             |             |  |
| <b>MD2</b>  | Multiple connector kit (26P) with 3 m cable   |   |                  |            |   |                           |            |   |            |   |  |            |                        |   |   |             |             |  |
| <b>MD3</b>  | Multiple connector kit (26P) with 5 m cable   |   |                  |            |   |                           |            |   |            |   |  |            |                        |   |   |             |             |  |
| <b>TD0</b>  | Terminal block box kit  | 1 to 10 stations<br>(Up to 20 solenoid coils)   |                  |            |   |                           |            |   |            |   |  |            |                        |   |   |             |             |  |
| <b>SDA2</b>   | PROFIBUS DP   | 1 to 8 stations<br>(Up to 16 solenoid coils)  |                  |            |   |                           |            |   |            |   |  |            |                        |   |   |             |             |  |

\* The maximum number of stations displayed in parentheses is applied to the special wiring specifications. (Option "K")  
The maximum number of stations is determined by the total number of solenoids. (Single solenoid type: 1 point, Double solenoid type: 2 points)  
Make sure that the total number of solenoids does not exceed the maximum number of stations. Additionally, when combining with option parts, make sure that the maximum number of stations is not exceeded.

Contact SMC for 56-EX250 with Profibus DP.

All other specifications are the same as the standard products Series VQC.  
[Click here](#) for details.

### How to Order Valves

**56-VQC 2 1 0 0**   - **5**  

ATEX category 3 ●

Series 56-VQC2000 ●

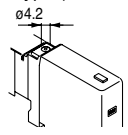
Type of actuation ●

|                    |                                  |
|--------------------|----------------------------------|
| 1                  | 2-position single                |
| 2                  | 2-position double (Metal)        |
| 2                  | 2-position double (Rubber)       |
| 3                  | 3-position closed centre         |
| 4                  | 3-position exhaust centre        |
| 5                  | 3-position pressure centre       |
| A <sup>Note)</sup> | 4-position dual 3-port valve (A) |
| B <sup>Note)</sup> | 4-position dual 3-port valve (B) |
| C <sup>Note)</sup> | 4-position dual 3-port valve (C) |

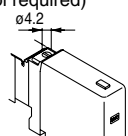
Note) For rubber seal type only.

● **Manual override**

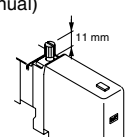
**Nil:** Non-locking push type (Tool required)



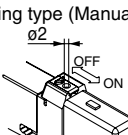
**B:** Locking type (Tool required)



**C:** Locking type (Manual)



**D:** Slide locking type (Manual)



● **Coil voltage**

|   |        |
|---|--------|
| 5 | 24 VDC |
|---|--------|

● **Function**

|                    |                    |
|--------------------|--------------------|
| Nil                | Standard type (1W) |
| R <sup>Note)</sup> | External pilot     |

Note) Not available for dual 3 port.

● **Seal type**

|   |             |
|---|-------------|
| 0 | Metal seal  |
| 1 | Rubber seal |

### Manifold Options

| Name                                    | 56-VQC2000       |
|---|------------------|
| Blanking plate assembly                 | VVQ2000-10A-1    |
| Individual SUP spacer                   | VVQ2000-P-1-C8   |
| Individual EXH spacer                   | VVQ2000-R-1-C8   |
| SUP block plate                         | VVQ2000-16A      |
| EXH block plate                         | VVQ2000-19A      |
| EXH block base assembly                 | —                |
| Back pressure check valve assembly [-B] | VVQ2000-18A      |
| Port plug                               | VVQ1000-58A      |
| Dual flow fitting assembly              | VVQ2000-52A-C10  |
| Elbow fitting assembly                  | VVQ2000-F-L-□    |
| Port plug                               | VVQ1000-58A      |
| Blanking plug                           | KQ2P-□□          |
| DIN rail mounting bracket [-D]          | VVQ2000-57A (-S) |
| Name plate [-N]                         | VVQ2000-N-□      |

Notes) □: Please refer to standard catalogues for details.  
Do not use options other than specified in this table.  
Only these standard parts without "56-" prefix can be used.

Note) "56-" solenoid valve should be installed in "56-VV5QC21" manifold.  
Power consumption when starting is 1 W, when maintaining 0.35 W.  
"56-VQC" solenoid valve has no polarity.

**ATEX Compliant**

**5 Port Solenoid Valve**

# Series 56-VQC4000



CE Manufactured with M- or T- kit  
 II 3G Ex nA IIB T5 Gc  
 II 3D Ex tc IIIC T80°C Dc

Note) Refer to Serial transmission system on page 30 for the S kit.

## How to Order Manifolds

**56-VV5QC 4 1-08 02 [ ] TD0 N - [ ] ..... M/T/S Kit**

• ATEX category 3

Series 56-VQC4000

Base-Mounted Plug-in

Stations

|    |           |
|----|-----------|
| 01 | 1 station |
| ⋮  | ⋮         |

The maximum number of stations differs depending on the electrical entry (refer to "Electrical entry/Cable length").

Cylinder port size

|     |                            |
|-----|----------------------------|
| C8  | With ø8 One-touch fitting  |
| C10 | With ø10 One-touch fitting |
| C12 | With ø12 One-touch fitting |
| CM  | Mixed sizes                |
| 02  | 1/4 thread                 |
| 03  | 3/8 thread                 |
| B   | Bottom port 1/4            |

Thread type

|     |      |
|-----|------|
| Nil | Rc   |
| F   | G    |
| N   | NPT  |
| T   | NPTF |

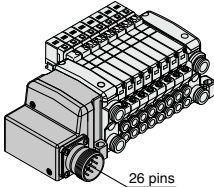
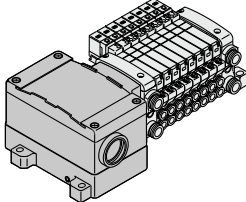
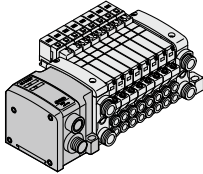
• Options

|     |  |
|-----|--|
| Nil | None   |
| K   | Special wiring specifications (except for double wiring) |
| N   | With name plate (T kit only)                             |

• COM.

|   |       |
|---|-------|
| N | -COM. |
|---|-------|

• Kit designation/Electrical entry/Cable length

| M  | Kit (Multiple connector kit)                  | T   | Kit (Terminal block box kit) | S   | Kit (Serial transmission kit: EX500 gateway type) |  |  |   |
|--|---|---|------------------------------|---|---|--|--|---|
|  <p>26 pins</p> |   |  |                              |  <p>SI unit: 56-EX500</p> <p>Note) A separate gateway unit and communication cable are required.</p> |   |  |  |   |
| MD0  | Multiple connector kit (26P) without cable    | TD0   | Terminal block box kit       | SDA2  | PROFIBUS DP                                       |  |  |   |
| MD1  | Multiple connector kit (26P) with 1.5 m cable |   |                              |   |   | 1 to 12 stations (Up to 24 solenoid coils) | 1 to 10 stations (Up to 20 solenoid coils) | 1 to 8 stations (Up to 16 solenoid coils) |
| MD2  | Multiple connector kit (26P) with 3 m cable   |   |                              |   |   |  |  |   |
| MD3  | Multiple connector kit (26P) with 5 m cable   |   |                              |   |   |  |  |   |

\* The maximum number of stations displayed in parentheses is applied to the special wiring specifications. (Option "K")  
 The maximum number of stations is determined by the total number of solenoids. (Single solenoid type: 1 point, Double solenoid type: 2 points)  
 Make sure that the total number of solenoids does not exceed the maximum number of stations. Additionally, when combining with option parts, make sure that the maximum number of stations is not exceeded.

Contact SMC for 56-EX250 with Profibus DP.

All other specifications are the same as the standard products Series VQC.  
[Click here](#) for details.

**How to Order Valves**

**56 - VQC 4 1 0 0 □ - 5 □**

ATEX category 3

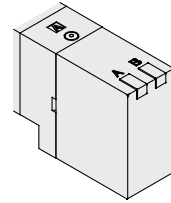
Series 56-VQC4000

**Type of actuation**

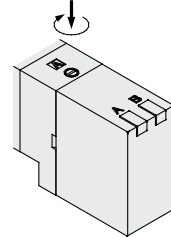
|   |                            |
|---|----------------------------|
| 1 | 2-position single          |
| 2 | 2-position double (Metal)  |
|   | 2-position double (Rubber) |
| 3 | 3-position closed centre   |
| 4 | 3-position exhaust centre  |
| 5 | 3-position pressure centre |
| 6 | 3-position perfect         |

**Manual override**

Nil: Non-locking push type (Tool required)



B: Locking type (Tool required)



**Coil voltage**

|   |        |
|---|--------|
| 5 | 24 VDC |
|---|--------|

**Function**

|                    |                    |
|--------------------|--------------------|
| Nil                | Standard type (1W) |
| R <sup>Note)</sup> | External pilot     |

Note) Not available for dual 3 port.

**Seal type**

|   |             |
|---|-------------|
| 0 | Metal seal  |
| 1 | Rubber seal |

**Manifold Options**

| Name                                    | 56-VQC4000     |
|---|----------------|
| Blanking plate assembly                 | VVQ4000-10A-1  |
| Individual SUP spacer                   | VVQ4000-P-1-□□ |
| Individual EXH spacer                   | VVQ4000-R-1-□□ |
| SUP block plate                         | VVQ4000-16A    |
| EXH block plate                         | VVQ4000-16A    |
| EXH block base assembly                 | —              |
| Back pressure check valve assembly [-B] | —              |
| Port plug                               | —              |
| Dual flow fitting assembly              | —              |
| Elbow fitting assembly                  | —              |
| Port plug                               | —              |
| Blanking plug                           | KQ2P-□□        |
| DIN rail mounting bracket [-D]          | —              |
| Name plate [-N]                         | —              |

Notes) □: Please refer to standard catalogues for details.  
 Do not use options other than specified in this table.  
 Only these standard parts without "56-" prefix can be used.

Note) "56-" solenoid valve should be installed in "56-VV5QC41" manifold.  
 Power consumption when starting is 1 W, when maintaining 0.35 W.  
 "56-VQC" solenoid valve has no polarity.