

# ATEX Compliant Air cylinder

## Standard: Double Acting, Single Rod

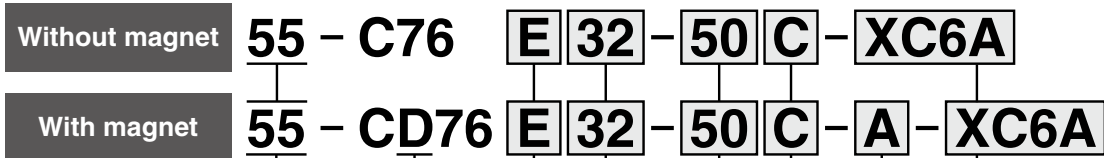
# Series 55-C76

ø32, ø40



CE II 2G Ex h IIC T5..T4 Gb  
II 2D Ex h IIIC T90°C..T110°C Db

### How to Order



ATEX category 2

Built-in magnet for auto switch

Mounting

<b>E</b>	Double end
<b>F*</b>	Front nose
<b>Y*</b>	Front nose in line port

\* Except air cushion type.

Bore size

<b>32</b>	32 mm
<b>40</b>	40 mm

Made to Order

Nil	Standard
<b>XC6A</b>	Stainless steel piston rod and rod-end nut
<b>XC6B</b>	Stainless steel piston rod, rod-end nut and mounting nut
<b>XC22*</b>	Fluororubber seals
<b>XC85</b>	Food grade grease
<b>X2018</b>	Long stroke

\* Only with rubber cushion type.

Auto switch mounting

<b>A</b>	Rail mounting
<b>B</b>	Band mounting

Cushion

<b>Nil</b>	Rubber cushion (Standard)
<b>C</b>	Air cushion (only "E" execution)

Cylinder stroke

Bore size (mm)	Standard stroke	<b>X2018</b> (Long stroke)
<b>32</b>	10,25,40,50,80,100	
<b>40</b>	125,160,200,250,300	301 to 1000

### Mounting Bracket Part No.

		Bore size (mm)	
		32	40
Mounting bracket	Foot (1 pc.)	C76F32A	C76F40A
	Foot (2 pcs. with mounting nut 1 pc.)	C76F32B	C76F40B
	Trunnion	C76T32	C76T40
	Clevis	C76C32	C76C40
Accessory	Single knuckle joint	KJ10DA	KJ12DA
	Double knuckle joint	GKM10-20A	GKM12-24A
	Floating joint	JA25-10-150	JA40-12-175

Refer to page 69 for applicable auto switches.

Refer to page 36 for dimensions.

### Specifications

Bore size (mm)	ø32	ø40
<b>Action</b>	Double Acting, Single rod	
<b>Fluid</b>	Air	
<b>Proof pressure</b>	1.5 MPa	
<b>Max. operating pressure</b>	1.0 MPa	
<b>Min. operating pressure</b>	0.05 MPa	
<b>Ambient and fluid temperature</b>	-10 to 60°C (No freezing)	
<b>Lubrication</b>	Not required (Non-lube)	
<b>Piston speed</b>	50 to 1000 mm/s	
<b>Stroke tolerance</b>	+1.4 0 mm	
<b>Cushion</b>	Rubber cushion, Air cushion	
<b>Port size</b>	G1/8	G1/4
<b>Mounting</b>	Double end, Front nose, Front nose in line port	

# ATEX Compliant Air cylinder

## Standard: Double Acting, Double Rod

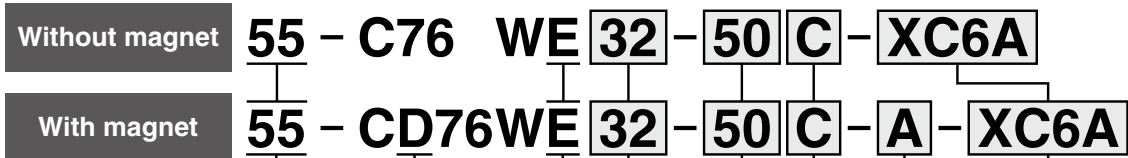
# Series 55-C76W

Ø32, Ø40



CE II 2G Ex h IIC T5..T4 Gb  
II 2D Ex h IIC T90°C..T110°C Db

### How to Order



ATEX category 2

Built-in magnet for auto switch

Mounting

E	Double end type
---	-----------------

Bore size

32	32 mm
40	40 mm

Made to Order

Nil	Standard
XC6A	Stainless steel piston rod and rod-end nut
XC6B	Stainless steel piston rod, rod-end nut and mounting nut
XC22*	Fluororubber seals
XC85	Food grade lubricant
X2018	Long stroke

\* Only with rubber cushion type.

Auto switch mounting

A	Rail mounting
B	Band mounting

Cushion

Nil	Rubber cushion (Standard)
C	Air cushion

Cylinder stroke

Bore size (mm)	Standard stroke	X2018 (Long stroke)
32	10,25,40,50,80,100,125	301 to 500
40	160,200,250,300	

Refer to page 69 for applicable auto switches.

Refer to pages 37 and 38 for dimensions.

### Mounting Bracket Part No.

Mounting bracket	Bore size (mm)	Bore size (mm)	
		32	40
Mounting bracket	Foot (1 pc.)	C76F32A	C76F40A
	Foot (2 pcs. with mounting nut 1 pc.)	C76F32B	C76F40B
	Trunnion	C76T32	C76T40
	Clevis	C76C32	C76C40
Accessory	Single knuckle joint	KJ10DA	KJ12DA
	Double knuckle joint	GKM10-20A	GKM12-24A
	Floating joint	JA25-10-150	JA40-12-175

### Specifications

Bore size (mm)	Ø32	Ø40
Action	Double Acting, Double Rod	
Fluid	Air	
Proof pressure	1.5 MPa	
Max. operating pressure	1.0 MPa	
Min. operating pressure	0.05 MPa	
Ambient and fluid temperature	-10 to 60°C (no freezing)	
Lubrication	Not required (Non-lube)	
Piston speed	50 to 1000 mm/s	
Stroke tolerance	+1.4 0 mm	
Cushion	Rubber cushion, Air cushion	
Port size	G1/8	G1/4
Mounting	Double end	

# ATEX Compliant Air cylinder

## Non-rotating Type: Double Acting, Single Rod

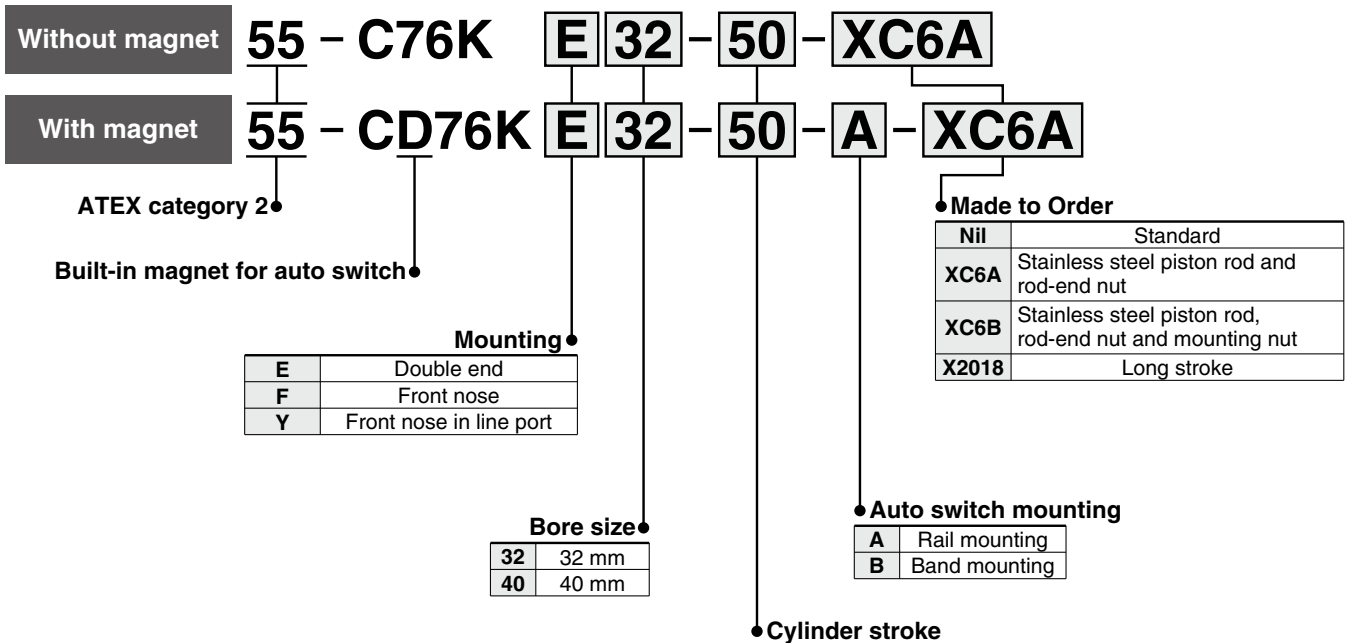
# Series 55-C76K

Ø32, Ø40



CE II 2G Ex h IIC T5..T4 Gb  
II 2D Ex h IIC T90°C..T110°C Db

### How to Order



### Mounting Bracket Part No.

Mounting bracket		Bore size (mm)	32	40
Mounting bracket	Foot (1 pc.)		C76F32A	C76F40A
	Foot (2 pcs. with mounting nut 1 pc.)		C76F32B	C76F40B
	Trunnion		C76T32	C76T40
	Clevis		C76C32	C76C40
Accessory	Single knuckle joint		KJ10DA	KJ12DA
	Double knuckle joint		GKM10-20A	GKM12-24A
	Floating joint		JA25-10-150	JA40-12-175

Refer to page 69 for applicable auto switches.

Refer to page 36 for dimensions.

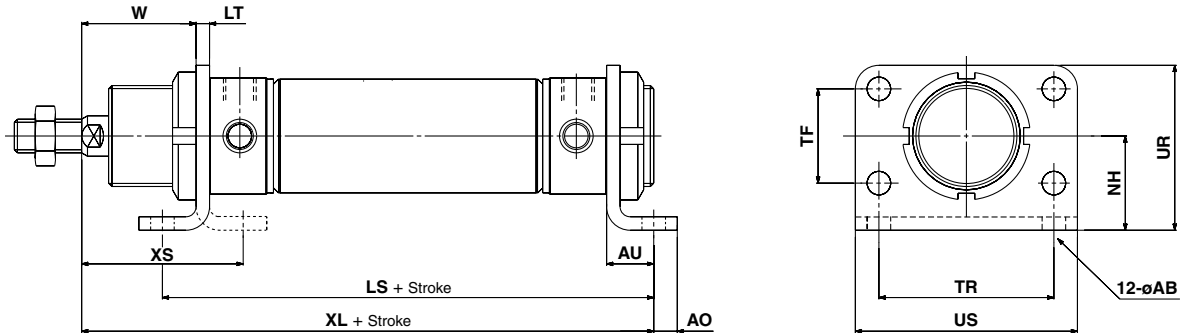
### Specifications

Bore size (mm)	Ø32	Ø40
Action	Double Acting, Single Rod	
Fluid	Air	
Proof pressure	1.5 MPa	
Max. operating pressure	1.0 MPa	
Min. operating pressure	0.05 MPa	
Ambient and fluid temperature	-10 to 60°C (No freezing)	
Lubrication	Not required (Non-lube)	
Piston speed	50 to 1000 mm/s	
Stroke tolerance	$\begin{matrix} +1.4 \\ 0 \end{matrix}$ mm	
Cushion	Rubber cushion	
Port size	G1/8	G1/4
Non-rotating accuracy	±0.5°	±0.5°
Mounting	Double end, Front nose, Front nose in line port	

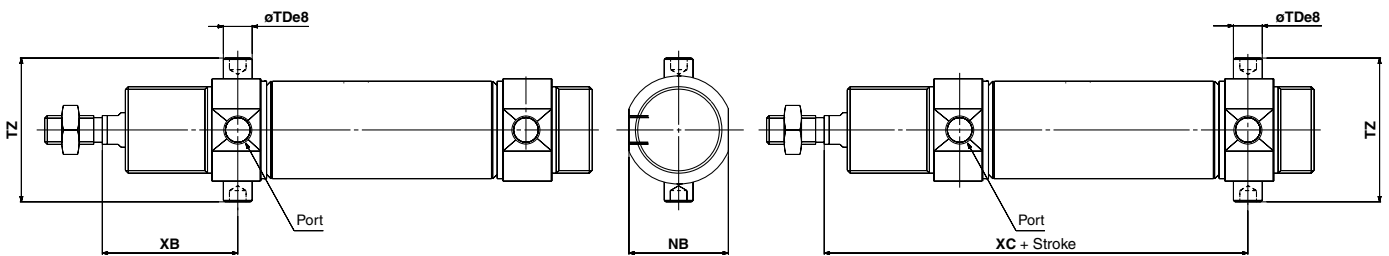
## Dimensions

### Double Acting, Single Rod

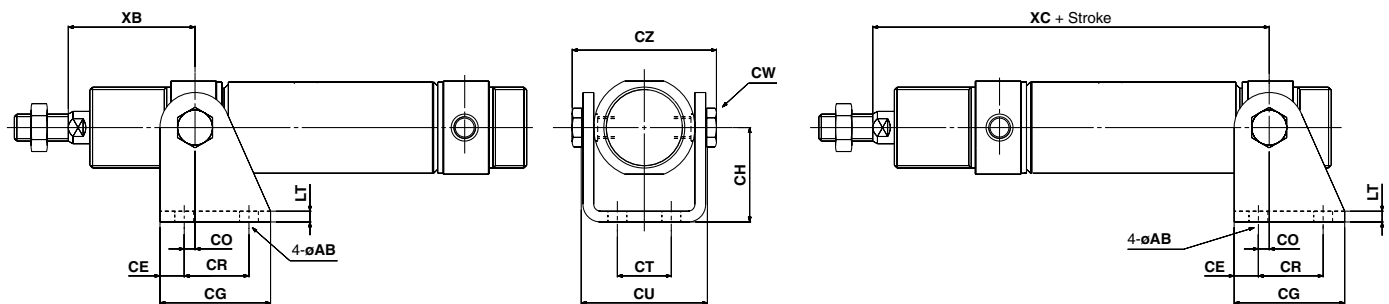
Rod foot, Head foot (Flange): C76F32<sup>A</sup>, C76F40<sup>B</sup>



### Rod trunnion, Head trunnion: C76T32, C76T40



### Rod clevis, Head clevis: C76C32, C75C40



(mm)

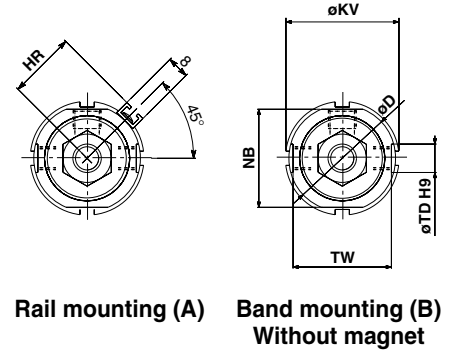
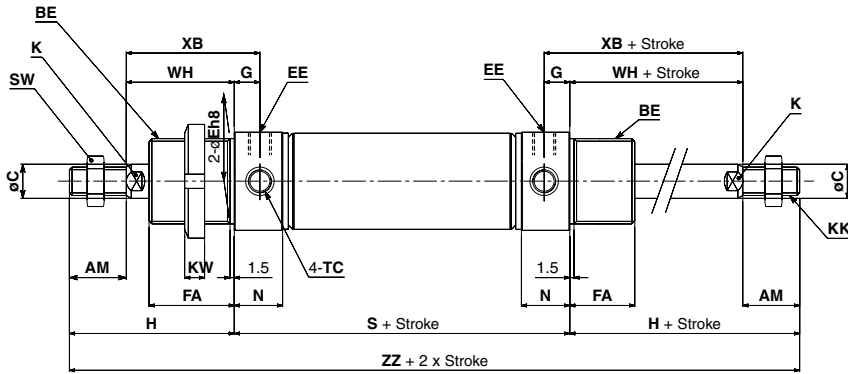
Bore size	Rod foot, Head foot (Flange)												Rod trunnion, Head trunnion					Rod clevis, Head clevis													
	AB	AO	AU	LS	LT	NH	TF	TR	UR	US	W	XL	XS	NB	TDe8	TZ	XB	XC	AB	CE	CG	CH	CO	CR	CT	CU	CW	CZ	LT	XB	XC
32	7	7	14	96	4	28	28	52	49	66	34	120	48	34.5	10 <sup>-0.025</sup> <sub>-0.047</sub>	47.9	47	97	7	9	41	35	4	24	20	46.8	13	57.9	4	47	97
40	9	10	20	129	5	33	30	60	58	80	40	154	60	42.5	12 <sup>-0.032</sup> <sub>-0.059</sub>	59.3	57	122	9	12	52	40	3	30	28	58.2	17	72.3	5	57	122

## Dimensions

**Double Acting, Double Rod**

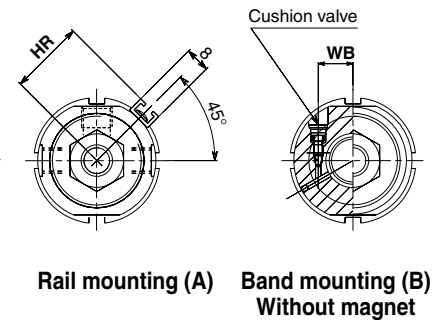
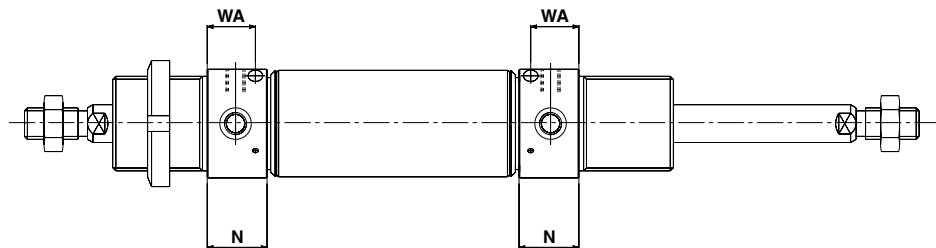
**Rubber cushion: C□76WE**  Bore size -  Stroke -

**Without magnet, Built-in magnet**



**Air cushion: C□76WE**  Bore size -  Stroke **C** -

**Built-in magnet**



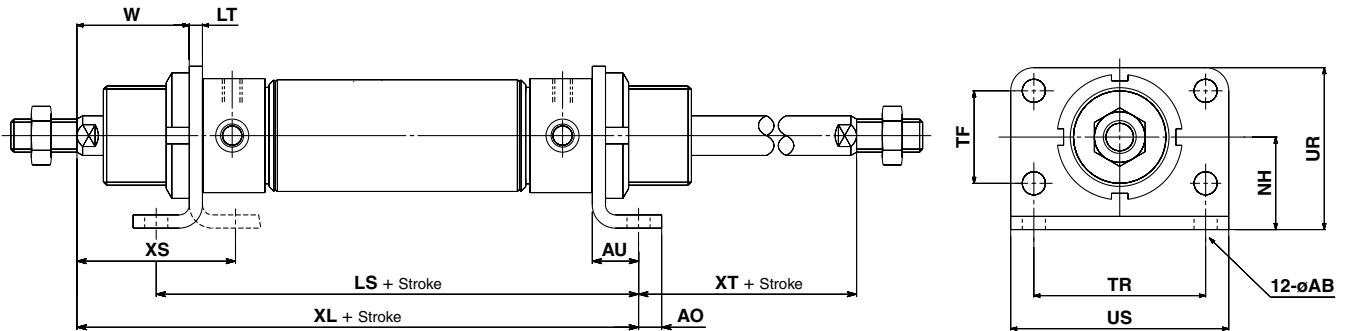
Bore size	AM	BE	C	D	Eh8	EE	FA	G	H	HR	K	KK	KV	WB	KW	N	NB	S	SW	TC	TDH9	TW	WH	XB	ZZ	WA
<b>32</b>	20	M30 x 1.5	12	37.5	30 <sup>0</sup> <sub>-0.033</sub>	G 1/8	30	9	58	23.8	10	M10 x 1.5	38	11	7	17(19)	34.5	68	17	M8 x 1	10 <sup>+0.036</sup> <sub>0</sub>	34.5	38	47	184	15.3
<b>40</b>	24	M38 x 1.5	14	46.5	38 <sup>0</sup> <sub>-0.039</sub>	G 1/4	35	12	69	28.3	12	M12 x 1.75	50	13	8	22(25)	42.5	89	19	M10 x 1	12 <sup>+0.043</sup> <sub>0</sub>	42.5	45	57	227	20

( ) : In the case of air cushion

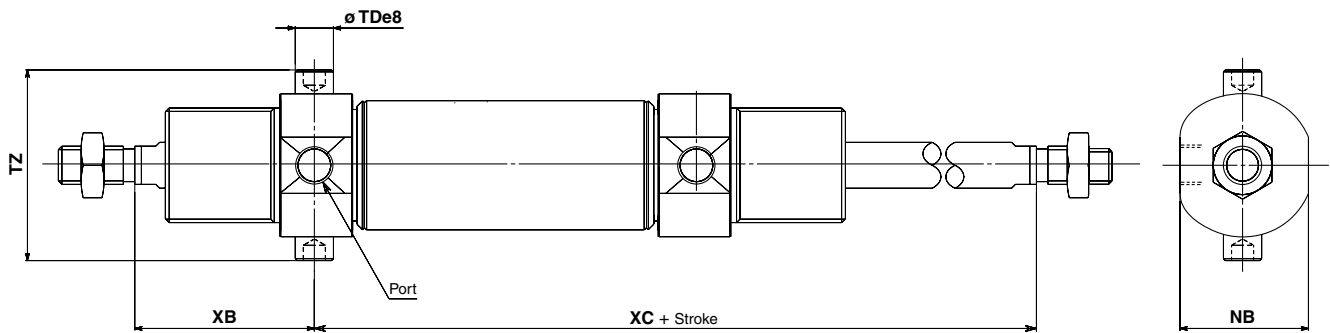
**Dimensions**

**Double Acting, Double Rod**

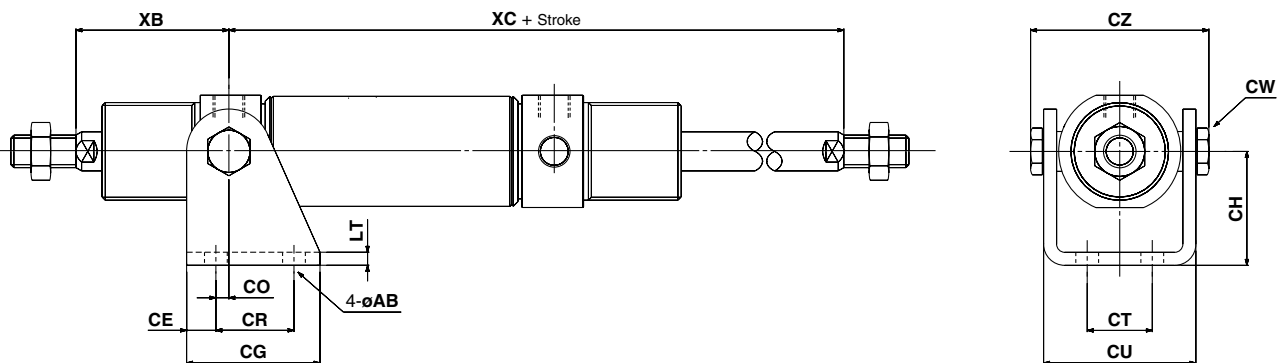
Rod foot, Head foot (Flange): C76F32<sup>A</sup>, C76F40<sup>A</sup>



Rod trunnion, Head trunnion: C76T32, C76T40



Clevis type: C76C32, C75C40

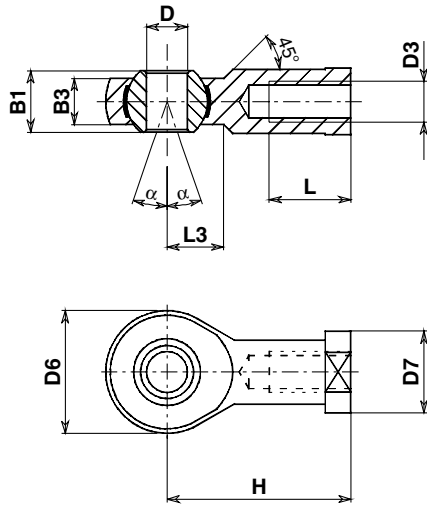


Bore size	Rod foot, Head foot (Flange)										Rod trunnion, Head trunnion				Clevis																	
	AB	AO	AU	LS	LT	NH	TF	TR	UR	US	W	XL	XS	XT	NB	TDe8	TZ	XB	XC	AB	CE	CG	CH	CO	CR	CT	CU	CW	CZ	LT	XB	XC
32	7	7	14	96	4	28	28	52	49	66	34	120	48	24	34.5	10 <sup>-0.025</sup> <sub>-0.047</sub>	47.9	47	97	7	9	41	35	4	24	20	46.8	13	57.9	4	47	97
40	9	10	20	129	5	33	30	60	58	80	40	154	60	25	42.5	12 <sup>-0.032</sup> <sub>-0.059</sub>	59.3	57	122	9	12	52	40	3	30	28	58.2	17	72.3	5	57	122

(mm)

# Series 55-C76 Accessories

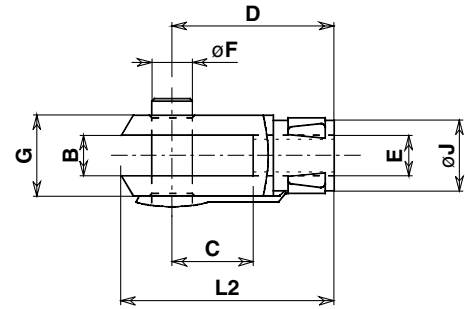
## Single knuckle joint (DIN648 compliant)



(mm)

Bore size	Model	Thread	D3	D <sub>H7</sub>	H	D6	B3	B1	L	D7	α°	L3
32	KJ10DA	M10 x 1.5	10	43	20	10.5	14	20	19	13	14	
40	KJ12DA	M12 x 1.75	12	50	30	12	16	22	22	13	16	

## Double knuckle joint (DIN7151 compliant)

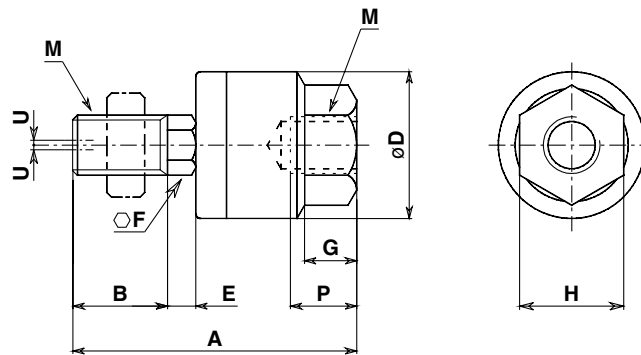


(mm)

Bore size	Model	Thread	E	B	D	F	G	C	J	L2
32	GKM10-20A	M10 x 1.5	10	40	10	18	20	12	20	
40	GKM12-24A	M12 x 1.75	12	48	12	23	24	15	24	

## Floating joint/Series JA

### JA25/40



(mm)

Bore size	Model	M		A	B	D	E	F	G	H	Maximum screwed depth P	Allowable eccentricity U	Max. operating tension and compression power (kN)
		Nominal thread dia.	Pitch										
32	JA25-10-150	10	1.5	49.5	19.5	24	5	8	8	17	9	0.5	2.5
40	JA40-12-175	12	1.75	60	20	31	6	11	11	22	13	0.75	4.4