

# Diaphragm Valve for Ultra High Purity Air Operated Type

RoHS

# AZ3542 & 4542 □ 25A Series

- Suitable for UHP gas supply line
- Body material: 316L SS
- Pneumatically actuated normally closed



## How to Order

AZ **3** **542 S** **2P** **MV4** **MV4** **25A**

(Inlet)                      (Outlet)

### Size

Code	Cv
3	0.29
4	0.5

### Model

Code	Status	Maximum operating pressure
542	Normally closed (N.C.)	125 psig (0.9 MPa)

### Material

Code	Body material
S	316L SS

### Ports

Code	Ports	Connection
2P	2 ports	Machined
2PW		Welded

- Series compatible with secondary batteries

### Connections

Code	Connections	Size Port	AZ3		AZ4	
			2P	2PW	2P	2PW
MV4	1/4 inch face seal (Male) *1)		●	●	●	●
FV4	1/4 inch face seal (Female)			●		●
TW4	1/4 inch tube weld		●	●		
MV6	3/8 inch face seal (Male) *1)				●	●
FV6	3/8 inch face seal (Female)					●
TW6	3/8 inch tube weld				●	●
TW8	1/2 inch tube weld				●	

●: Only available with the same type fittings inlet and outlet.

\* 1) Fixed fitting (no rotating nut)

## Specifications

Operating Parameters	AZ3542 □ 25A	AZ4542 □ 25A
Weight	0.26 kg *1)	

\*1) Weight for AZ3542S2PMV4MV4 including individual boxed weight. It may vary depending on connections or options.

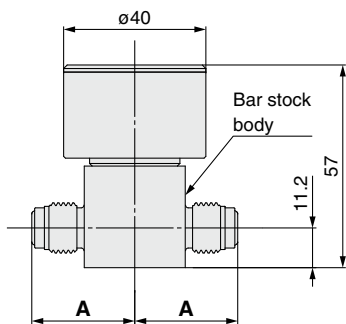
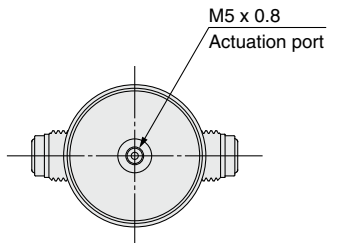
\* Some parts have sizes and shapes that are different from the standard products.

For details, refer to the [Web Catalog](#).

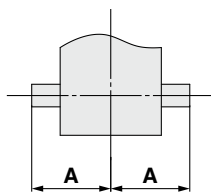
## Dimensions

### AZ3542 & 4542

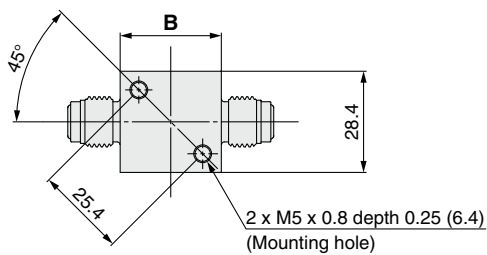
Ports: 2P (Machined)



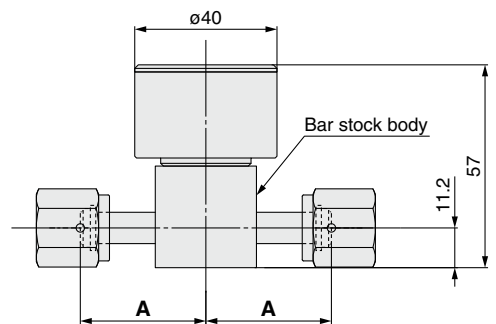
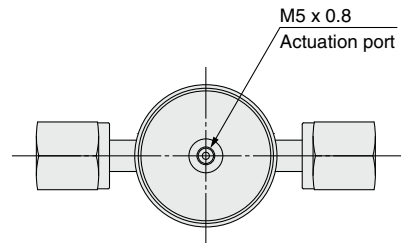
Connections: MV □



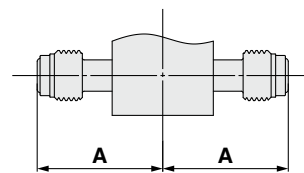
Connections: TW □



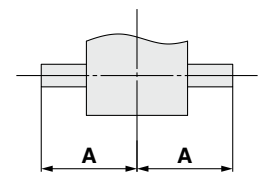
Ports: 2PW (Welded)



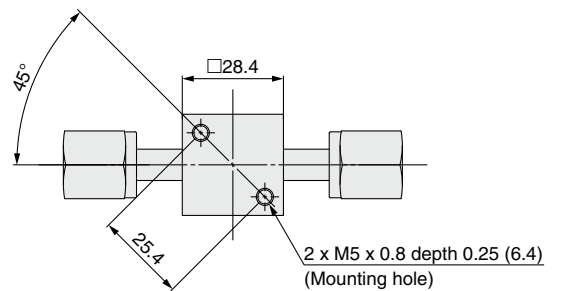
Connections: FV □



Connections: MV □



Connections: TW □



Ports	Connections	A	B
2P (Machined)	MV4	1.14 (29.0)	1.12 sq. (28.4)
	TW4	0.875 (22.2)	
	MV6	1.5 (38.1)	1.48 sq. (37.6)
	TW6	0.875 (22.2)	1.12 sq. (28.4)
	TW8	1.125 (28.6)	

Ports	Connections	A
2PW (Welded)	MV4	1.39 (35.3)
	FV4	
	TW4	1.06 (26.9)
	MV6	1.93 (49.0)
	FV6	
	TW6	

# Diaphragm Valves for General Applications Air Operated Type

RoHS

## AK3542 & 4542 25A Series

- Body material: 316 SS
- Normally closed



### How to Order

AK **3** 542 S 2P **4T** **4T** 25A

(Inlet) (Outlet)

#### Size

Code	Cv
3	0.29
4	0.5

#### Model

Code	Status	Maximum operating pressure
542	Normally closed (N.C.)	125 psig (0.9 MPa)

#### Material

Code	Body material
S	316 SS

#### Ports

Code	Ports
2P	2 ports

- Series compatible with secondary batteries

#### Connections

Code	Connections	AK3	AK4
4T	1/4 inch compression	●	—
4BR	Rc 1/4		
4BRN	R 1/4		
4	NPT 1/4 female		
4N	NPT 1/4 male	—	●
6T	3/8 inch compression		
6BR	Rc 3/8		
6BRN	R 3/8		
6	NPT 3/8 female		
6N	NPT 3/8 male		

Note) Only available with same type fittings inlet and outlet.

\* Specifications and dimensions are the same as those of the standard model.

For details, refer to the [Web Catalog](#).