

Shot Pin Cylinder

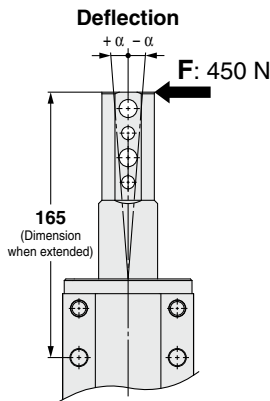
Size: $\varnothing 57$, $\varnothing 71$

High Precision

With rod extended:

Deflection of ± 0.1 mm or less

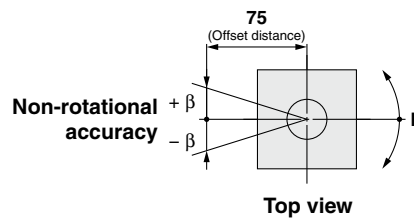
(With 71 mm bore, 50 mm stroke)



Non-rotational accuracy

± 0.1 mm or less

(71 mm bore, with a 17.25 N·m load applied in the rotating direction.)

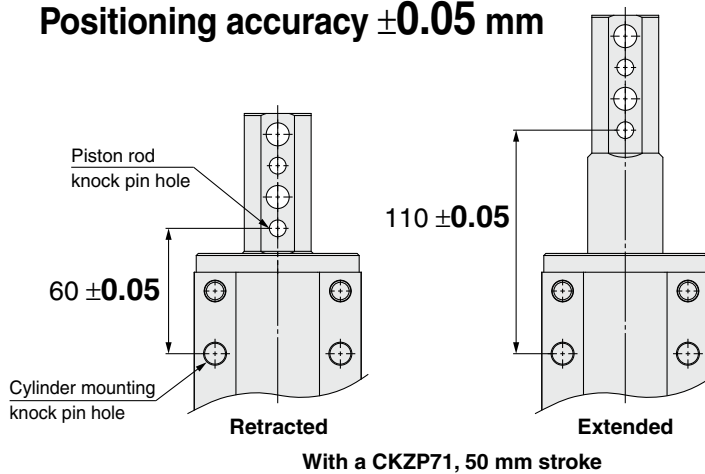


CKZP71

CKZP57L

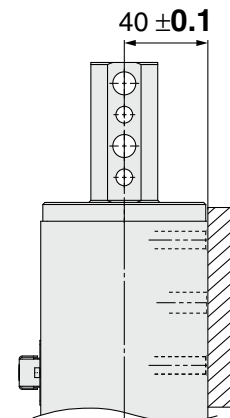
Positioning Repeatability

Positioning accuracy ± 0.05 mm



Distance accuracy

± 0.1 mm



High Output

(71 mm bore, 0.6 MPa pressure)

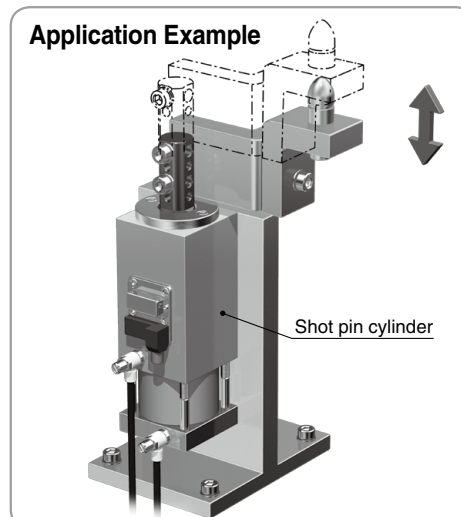
Retract force 1764 N

Extending force 2362 N

Mounting Based on NAAMS

Standard (71 mm bore)

Application Example



CKZP Series

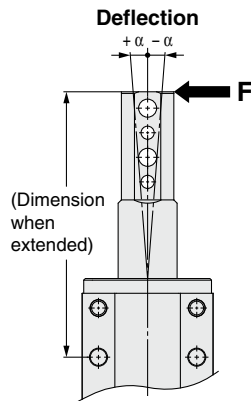


■ Rod extended

Deflection: ± 0.1 mm or less

Bore size	Stroke [mm]	Lateral load F [N]	
		340	450
57	25, 50		
71	25, 50	$\alpha = \pm 0.1$ mm or less	

* α is the value at the piston rod end.

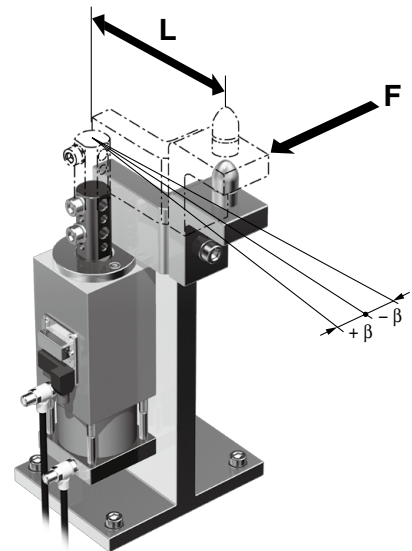


■ Non-rotational accuracy

± 0.1 mm or less

Bore size	Lateral load F	Offset distance L	Non-rotational accuracy β
57	120 N	50 mm	± 0.1 mm
71	230 N	75 mm	

* **F** and β are values at the offset **L** position.



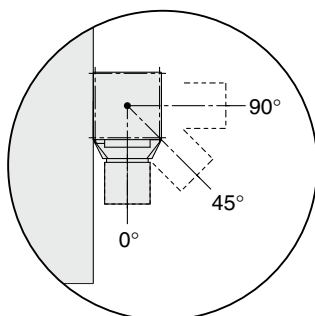
■ Built-in coil scraper and Lube-retainer

■ Selectable proximity switches

- TURCK
- P&F

■ Adjustable connector angle

- CKZP57L: 45°, 90°
- CKZP71: 0°, 45°, 90°



When using the CKZP71

■ Ports

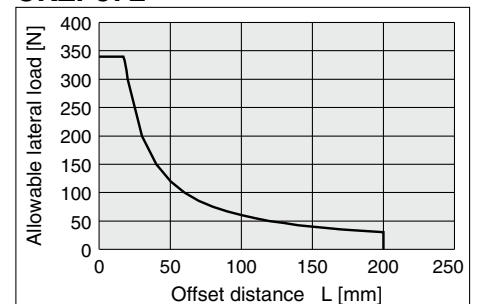
G and NPT ports available



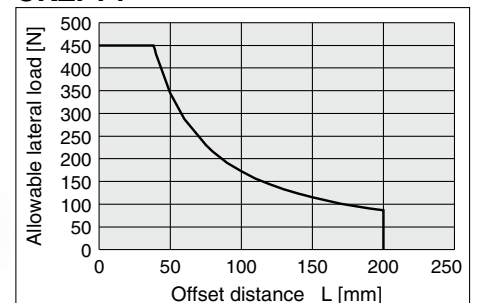
CKZP71

■ Allowable lateral load graph

CKZP57L



CKZP71

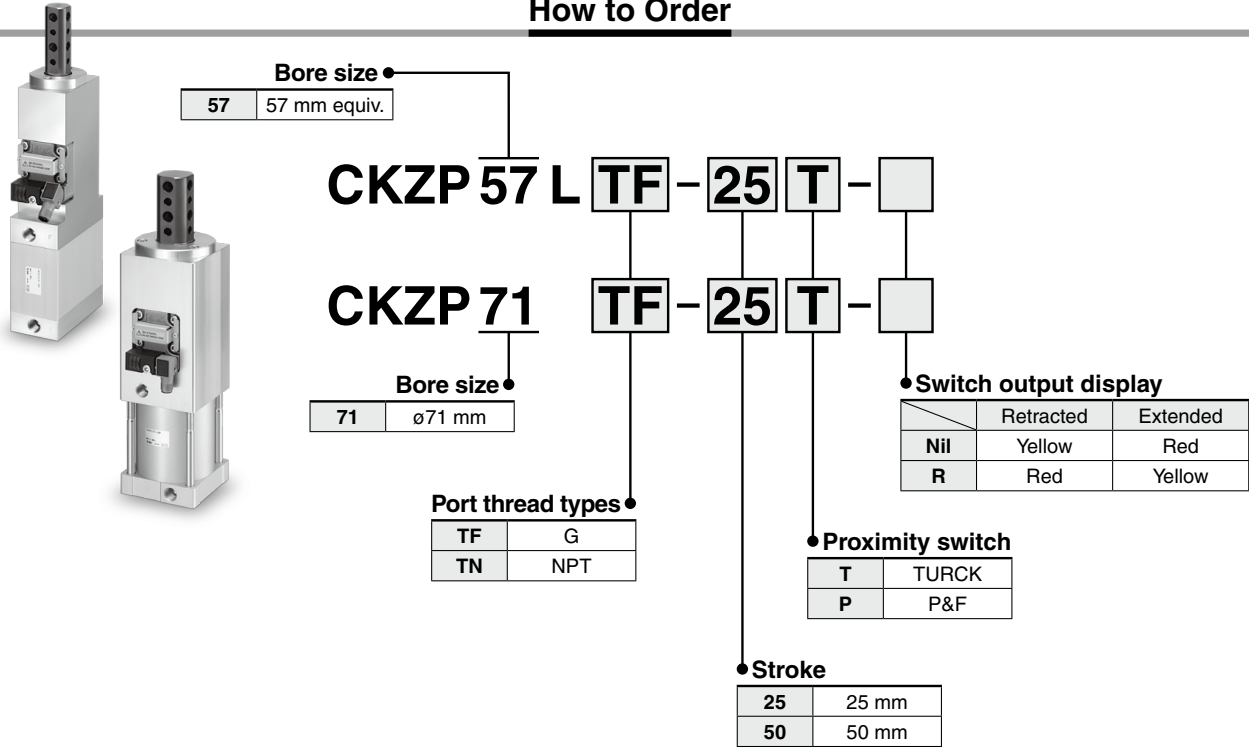


Shot Pin Cylinder

CKZP Series

ø57, ø71

How to Order



Proximity Switch Specifications

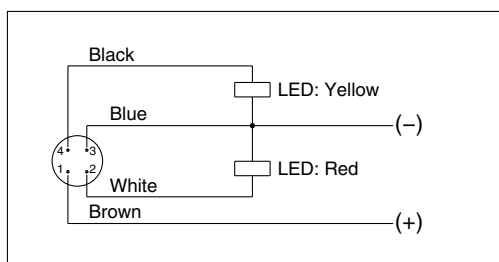
Manufacturer	TURCK	P&F
Power supply voltage	10 to 30 VDC	10 to 30 VDC
Output	N.O., PNP	N.O., PNP
Continuous load current	200 mA	100 mA
Response frequency	30 Hz	25 Hz
Housing material	Plastic, PA	PA6, PBT
Power supply indicator	Green	Green

* The switch specifications will differ depending on the manufacturer engineering information.

Specifications

Bore size		57	71
Fluid		Air	
Operating pressure range		0.3 to 0.7 MPa	
Ambient and fluid temperature		-10 to 60°C (No freezing)	
Weight	25 mm stroke	3.1 kg	4.8 kg
	50 mm stroke	3.4 kg	5.1 kg

Wiring Diagram (PNP Connection Circuit)



* Applicable to both TURCK and P&F switches.
 * Please contact SMC for NPN switches.

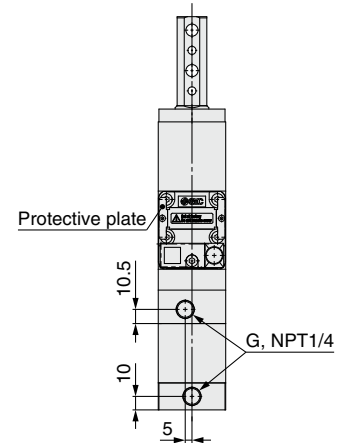
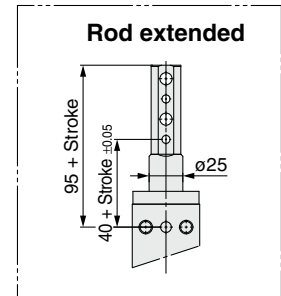
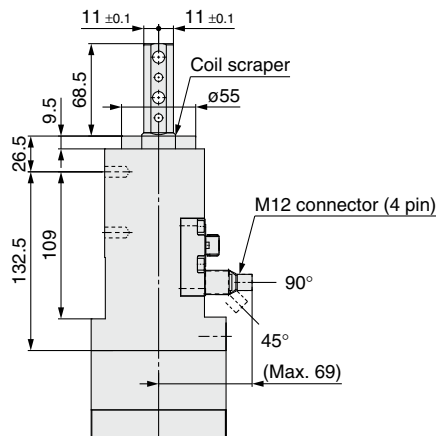
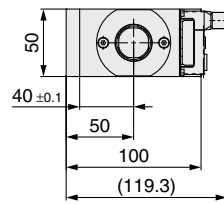
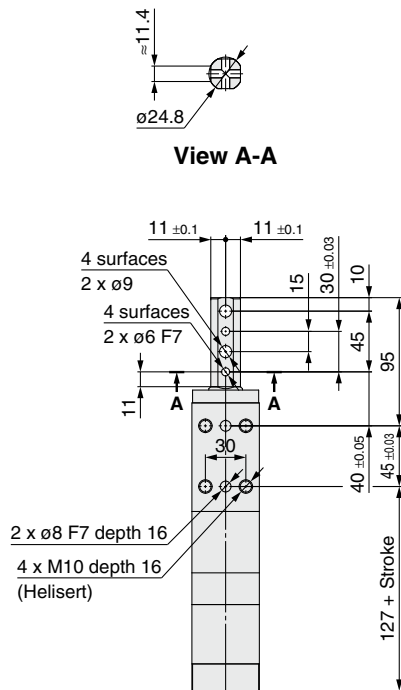
Theoretical Output

Bore size	Operating direction	Operating pressure [MPa]				
		0.3	0.4	0.5	0.6	0.7
57	IN	618	823	1029	1235	1440
	OUT	758	1009	1264	1519	1765
71	IN	882	1176	1470	1764	2058
	OUT	1184	1578	1970	2362	2761

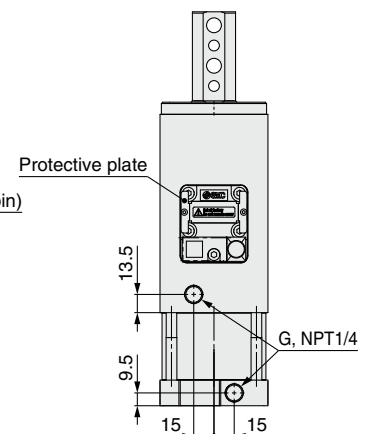
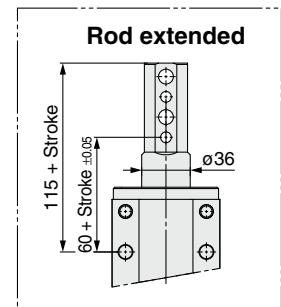
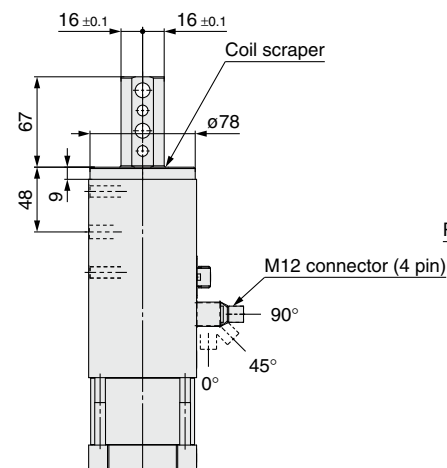
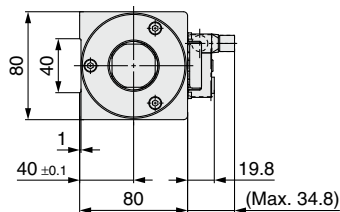
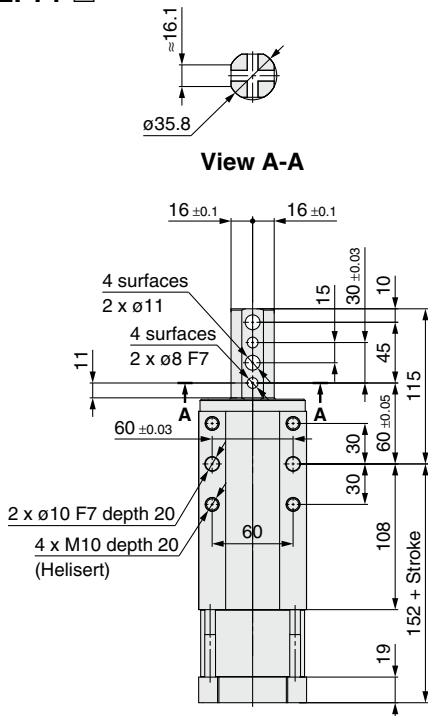
CKZP Series

Dimensions

CKZP57L-□



CKZP71-□



⚠ Safety Instructions Be sure to read the "Handling Precautions for SMC Products" (M-E03-3) and "Operation Manual" before use.