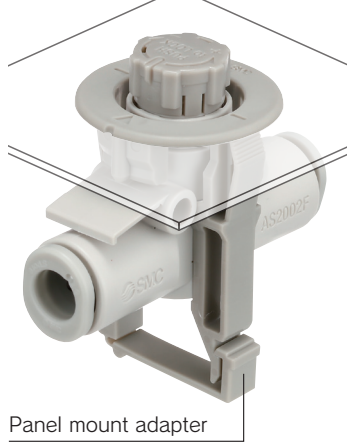


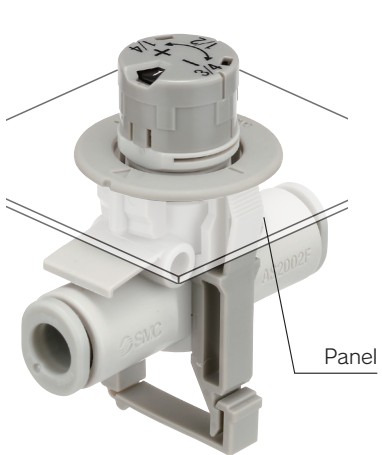
Panel Mount Adapter

No tools required, Reduced installation work

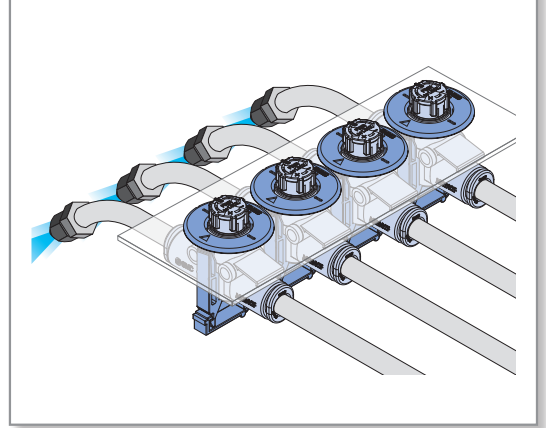
Push-lock type



With compact indicator



Installation example



Easy to Install

Easy mounting without using any tools

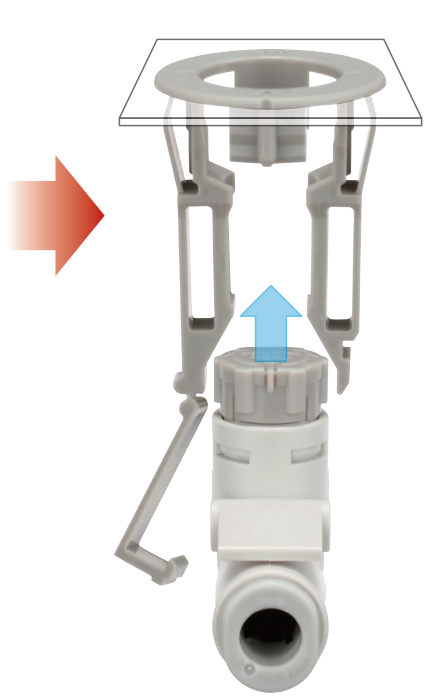
Step 1

Insert adapter into panel.



Step 2

Insert speed controller into adapter.



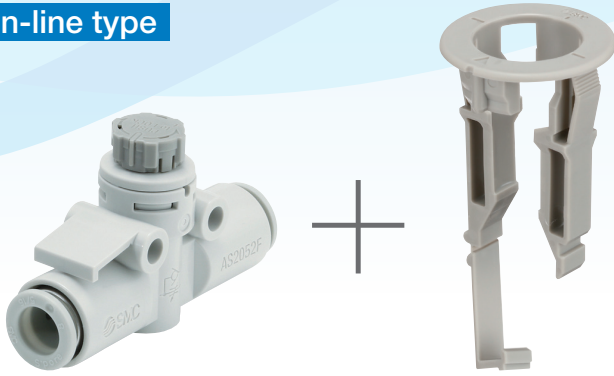
Step 3

Close the hinge. Setting is complete.



How to Order

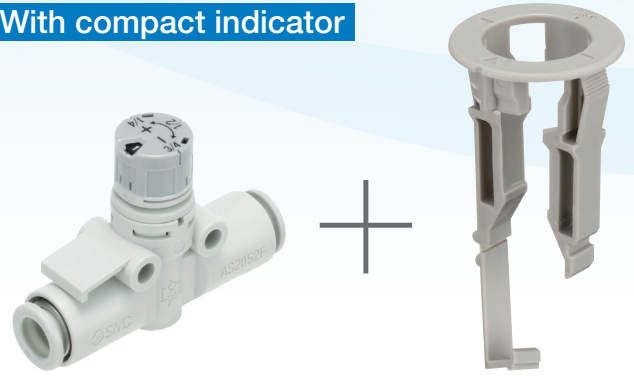
In-line type



AS 200 2 F - 06 A - 3 - []

Standard model part numbers

With compact indicator



AS 200 2 FS - 06 A - 3 - []

Standard model part numbers

For Individual Part Order

Metric size

Body size	Applicable tubing O.D.					
	23	04	06	08	10	12
	ø3.2	ø4	ø6	ø8	ø10	ø12
100	PMA-1002-A	PMA-1002-B	—	—	—	—
200	—	PMA-2002		—	—	—
205	—	—	PMA-2052		—	—
300	—	—	PMA-3002			—
400	—	—	—	—	PMA-4002	

Note) As for the AS1002F, the applicable part numbers are different depending on the applicable tubing O.D.

Inch size

Body size	Applicable tubing O.D.					
	01	03	07	09	11	13
	ø1/8"	ø5/32"	ø1/4"	ø5/16"	ø3/8"	ø1/2"
100	PMA-1002-A	PMA-1002-B	—	—	—	—
200	—	PMA-2002		—	—	—
205	—	—	PMA-2052		—	—
300	—	—	PMA-3002			—
400	—	—	—	—	PMA-4002	

Note) As for the AS1002F, the applicable part numbers are different depending on the applicable tubing O.D.

Applicable Models

In-line type



AS-F Series

Stainless steel specification
AS-FG Series

1~50mm/s 50~150mm/s
AS-FMA/FCA Series



With compact indicator



AS-FSA Series

Stainless steel specification
AS-FSG Series

1~50mm/s 50~150mm/s
AS-FSMA/FSCA Series



⚠ Safety Instructions Be sure to read the "Handling Precautions for SMC Products" (M-E03-3) and "Operation Manual" before use.

SMC Corporation <https://www.smcworld.com>

Specifications are subject to change without prior notice and any obligation on the part of the manufacturer.
© 2025 SMC Corporation All Rights Reserved