

## IZF Series

### Thinnest and Fastest

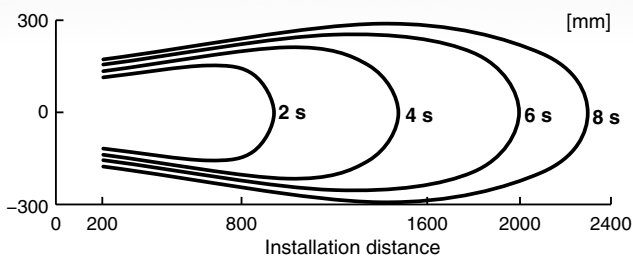
Thickness **40** mm      Rapid static neutralization **0.5** s<sup>\*1</sup>



IZF21 Series

IZF31 Series

### ■ Extensive rapid static neutralization<sup>\*1</sup>



<sup>\*1</sup> When neutralizing static electricity from 1000 V to 100 V at a distance of 300 mm from the workpiece (front surface). When air flow of IZF31 is maximum.



IZF10/10R Series

### ■ Offset voltage (Ion balance): $\pm 5$ V

Compact fan types ▶ Page 167

- IZS40/41/42
- IZT40/41(-L)/42(-L)/43(-L)
- IZN10E
- IZF
- IZG10
- ZVB
- IZD10/IZE11
- IZH10
- Antistatic Equipment

# Extensive Rapid Static Neutralization

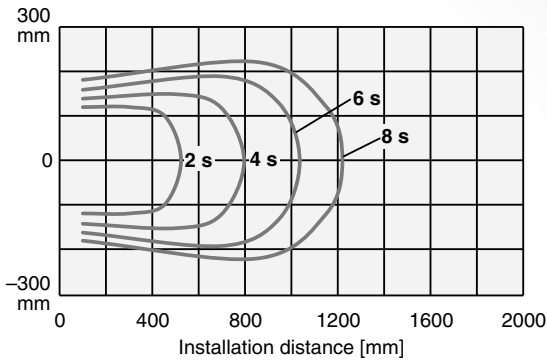
## Extensive static neutralization

IZF 21 IZF 31

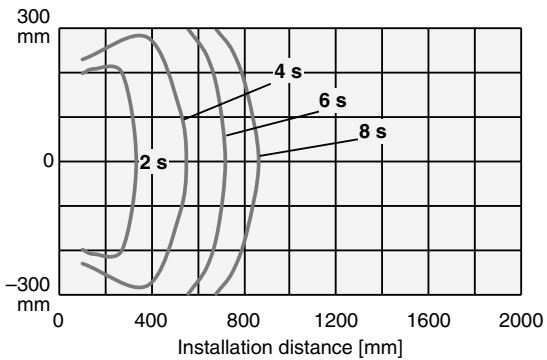
►For the IZF21. For details about the IZF31, refer to page 156.  
 ►Refer to page 150 for flow rate adjustment and the description below for angle adjustment of the adjustable louver.



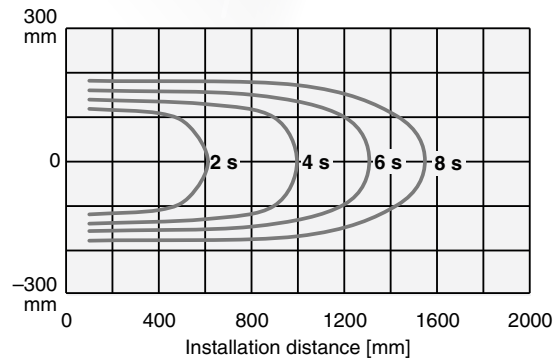
At max. flow rate



At max. flow rate, with adjustable louver/widest angle

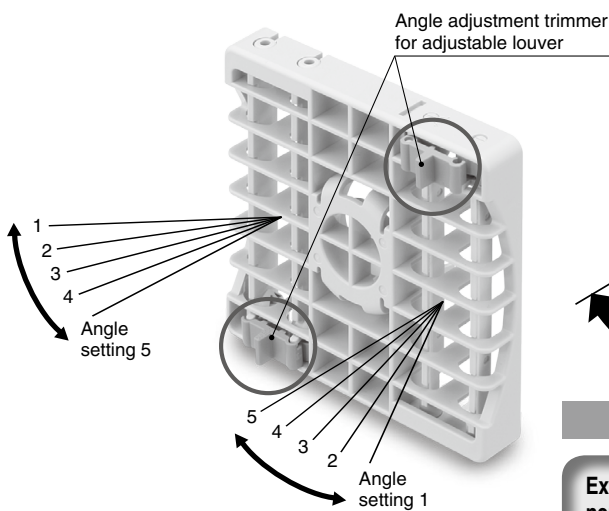


At max. flow rate, with adjustable louver/narrowest angle

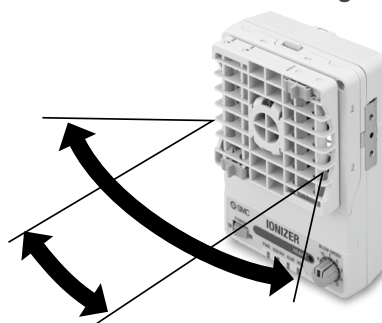


## Extensive static neutralization area can be covered with adjustable louver.

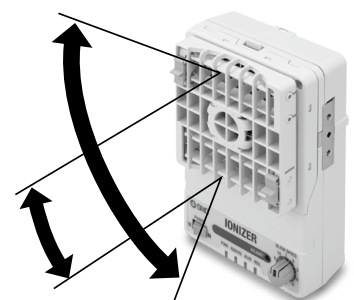
IZF 21 IZF 31 **Option** p. 158



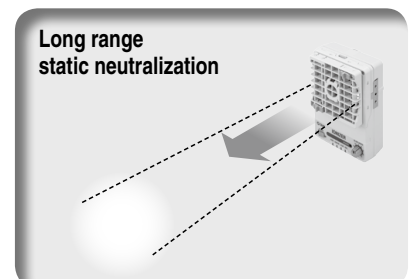
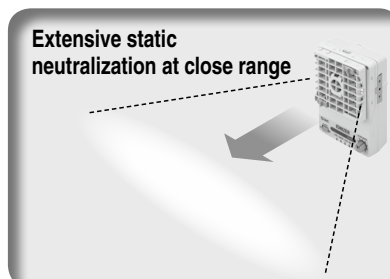
Adjustable in 5-stages from wide to narrow angle



90-degree rotation mounting available (Adjustable in a vertical direction)



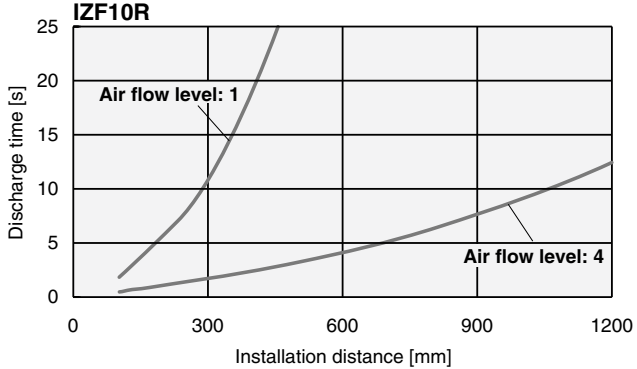
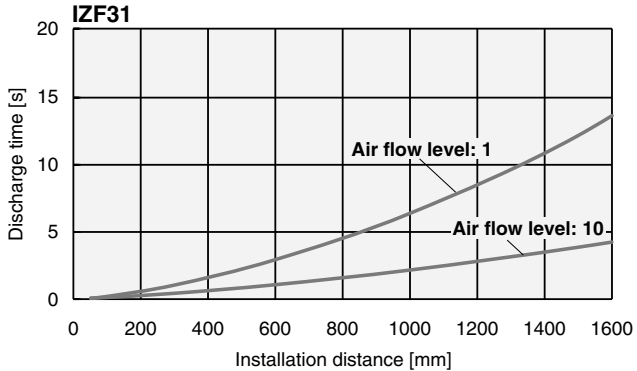
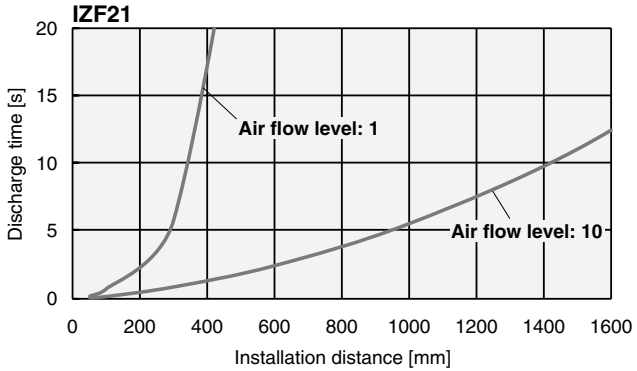
### Application Examples



# Rapid static neutralization

IZF 10 IZF 10R IZF 21 IZF 31

Installation distance and discharge time (Discharge time from 1000 V to 100 V)

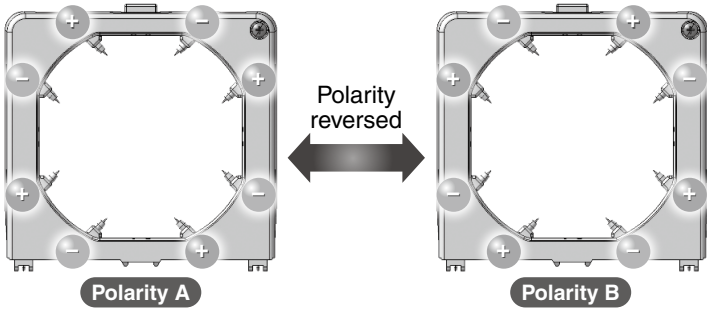


IZS40/41/42  
IZT40/41(-L)/42(-L)/43(-L)  
IZN10E  
IZF

## Stable Static Neutralization Performance, Easier Maintenance

Emitter life is almost doubled with averaging function.

IZF 21 IZF 31



**Averaging Function**  
The life of the emitters is almost doubled by switching the polarity of the applied high voltage every time the power is supplied hence averaging the wear level of the emitters.  
\* Compared with the IZF10.

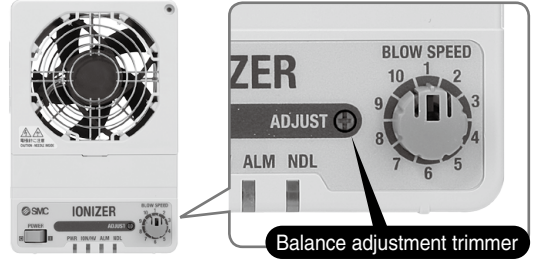
IZG10  
ZVB  
IZD10/IZE11

Built-in sensor constantly monitors offset voltage.  
**Automatic balance adjustment function achieves stable offset voltage and reduces adjustment time.**

IZF 21 IZF 31

- Automatic adjustment** Prevents degradation in offset voltage that can occur when emitters become contaminated after prolonged ionizer operation.
- Manual adjustment** Corrects changes to offset voltage due to the installation environment.

Constantly monitors offset voltage by use of a sensor. Prevents degradation in offset voltage that can occur when emitters become contaminated after prolonged ionizer operation. Balance adjustment trimmer can provide offset voltage adjustment suitable for the installation environment.



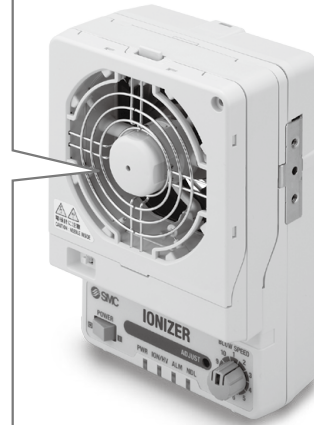
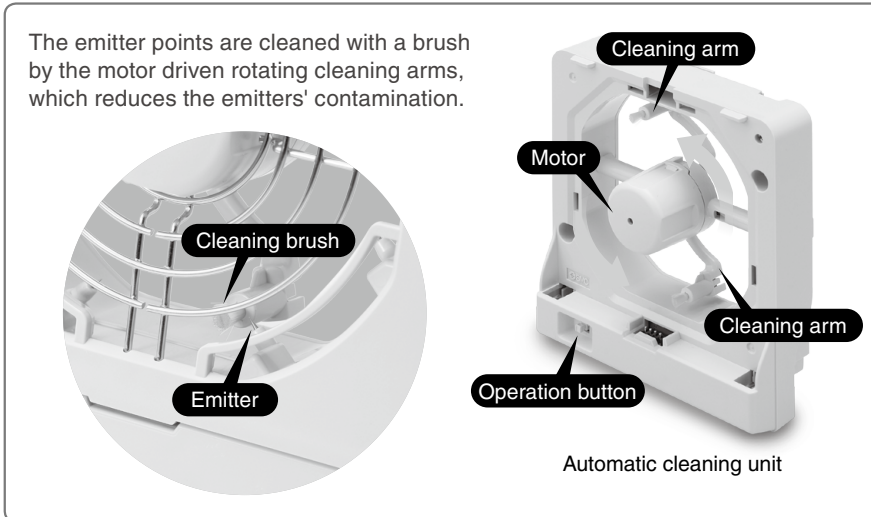
IZH10  
Antistatic Equipment

## Stable Static Neutralization Performance, Easier Maintenance

### Emitter contamination can be reduced by automatic cleaning function.

IZF 21 IZF 31 Option p. 158

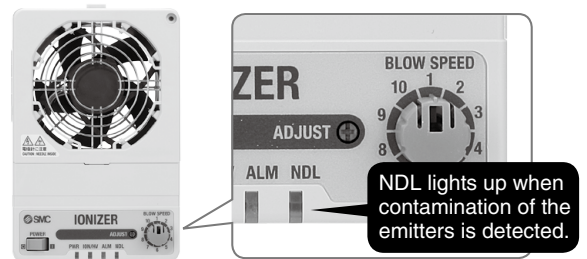
Cleaning arms are installed inside the housing. Emitter cleaning is started by an external input signal or push-button operation.



### Contamination of the emitters can be detected.

IZF 10 IZF 10R IZF 21 IZF 31

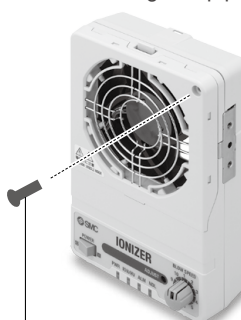
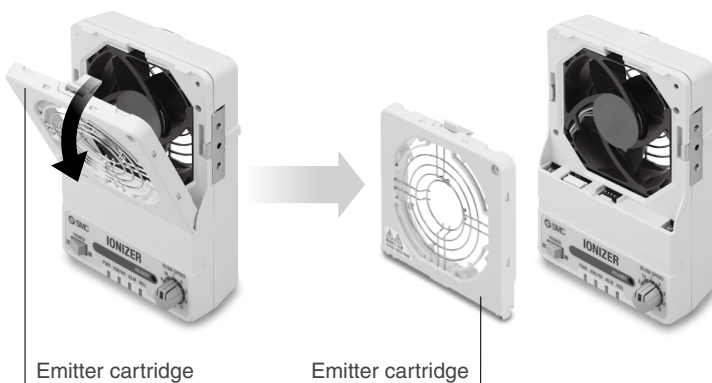
Emitter contamination level is constantly monitored. When maintenance is required, the user is alerted by a signal output and the LED turning ON.



### Emitter cartridge is easily replaceable. (No tools are required.)

IZF 21 IZF 31 p. 158

Emitter cartridge drop prevention



Emitter cartridge retaining screw M3 x 12 1 pc. (Provided by customer)

Related equipment p. 158



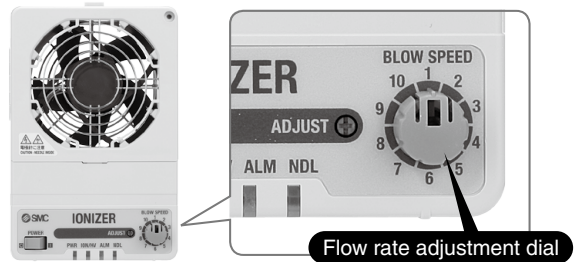
Cleaning kit IZS30-M2

## Flow Rate Adjustment Function IZF 10R IZF 21 IZF 31

Flow rate is adjustable in 10 steps\* using the flow rate adjustment dial. The flow rate adjustment dial is removable to prevent accidental changes of adjustment.

### Flow Rate Adjustment Range [m<sup>3</sup>/min]

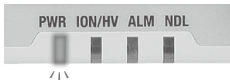
Model	Flow rate adjustment level									
	1	2	3	4	5	6	7	8	9	10
IZF10R	0.19	0.46	0.66	0.80	—	—	—	—	—	—
IZF21	0.4	0.5	0.6	0.7	0.8	0.9	1.1	1.4	1.7	1.8
IZF31	1.3	1.7	1.9	2.3	2.5	2.7	3.2	3.7	4.2	4.4



\* For IZF21, 31

## 7 types of alarms are provided. IZF 21 IZF 31

### 1 Power supply failure



### 2 Incorrect high voltage



### 3 Fan motor failure



### 4 CPU failure



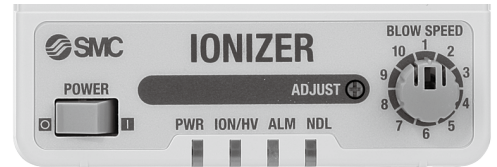
### 5 Maintenance warning



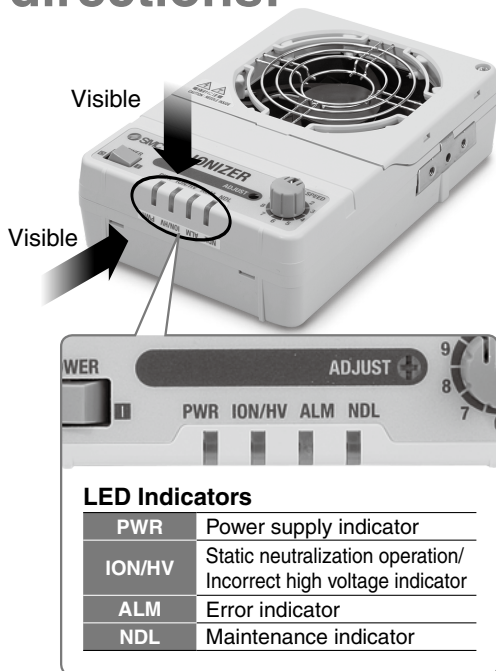
### 6 Emitter cartridge mounting failure



### 7 Automatic cleaning failure

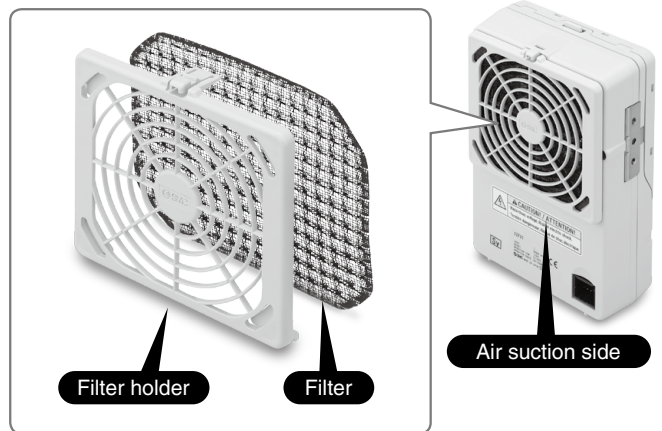


## LED indicator can be checked from 2 directions! IZF 21 IZF 31





## Filter IZF 21 IZF 31 Option p. 158

Prevents ingress of lint and foreign matter to the motor and possibility of short-circuit between emitters!



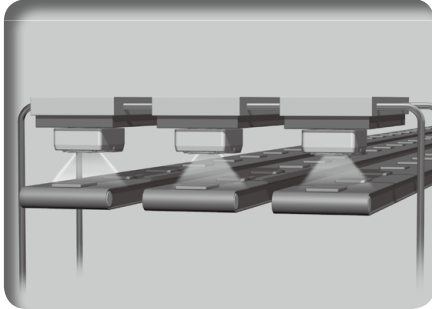
## Models and Functions

		IZF21 p. 157	IZF31 p. 157	IZF10 p. 167	IZF10R p. 167
					
Size (Depth x Width x Height)	[mm]	40 x 104 x 155	40 x 144 x 195	39 x 80 x 110	39 x 80 x 110
Max. air flow	[m <sup>3</sup> /min]	1.8	4.4	0.66 0.46 (L type)	0.80
Extensive static neutralization		●	●	—	—
High speed neutralization		●	●	●	●
Adjustable louver		●	●	—	—
Averaging function		●	●	—	—
Automatic balance adjustment function (With built-in sensor)		●	●	—	—
Automatic cleaning function		●	●	—	—
Emitter dirt detection		●	●	●	●
Easily replaceable (Emitter cartridge)		●	●	—	—
Flow rate adjustment function		●	●	—	●
Filter		●	●	—	—
Alarm	Power supply failure	●	●	●	●
	Incorrect high voltage	●	●	●	●
	Fan motor failure	●	●	—	—
	CPU failure	●	●	—	—
	Maintenance warning	●	●	● (LED indication only)	●
	Emitter cartridge mounting failure	●	●	—	—
	Automatic cleaning failure	●	●	—	—

## Application Examples

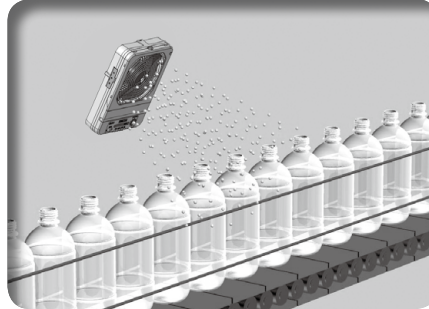
### For the static neutralization of conveyors

Static neutralization in a narrow space



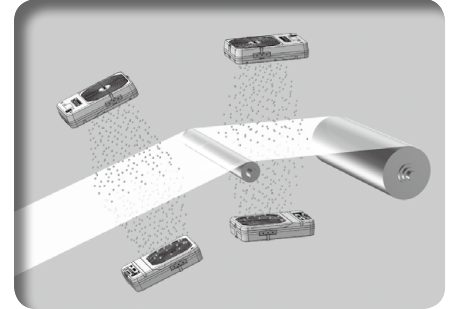
### For the static neutralization of PET bottles

Trip-resistance during conveying/Prevents adhesion of dust.



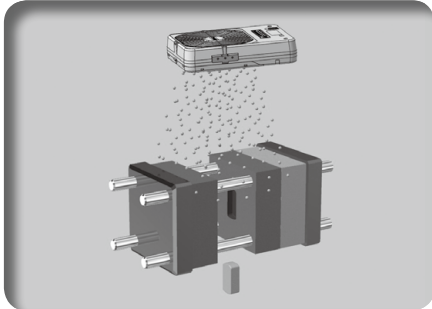
### For the static neutralization of films

Prevents winding failure./Prevents adhesion of dust.



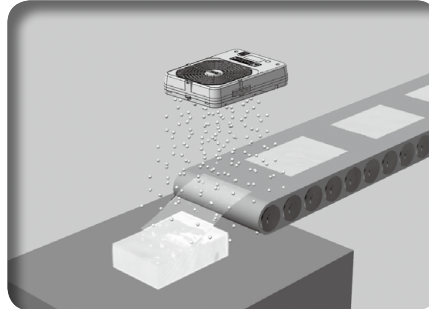
### For the static neutralization of molded goods

Improves detachability of molded goods from a die.



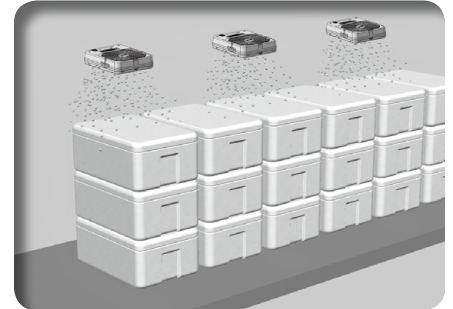
### For the static neutralization of film-molded goods

Sticking and scattering prevention on a conveyor



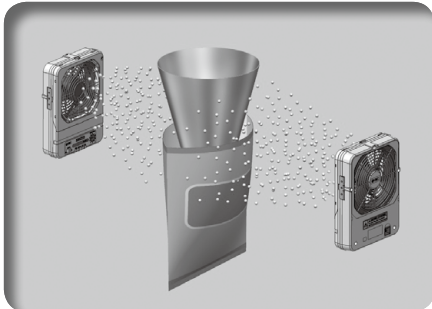
### For the static neutralization of packaging materials made from polystyrene foam

Darkening due to dust adhesion prevented



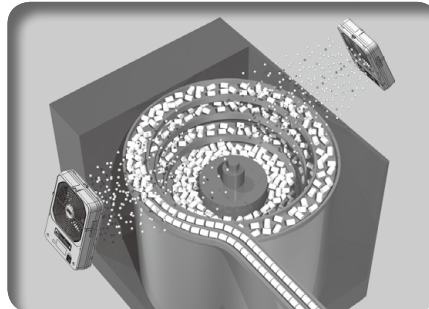
### For the static neutralization of packing films

Prevents the filled substance from adhering to the packing film and reduces packing mistakes.



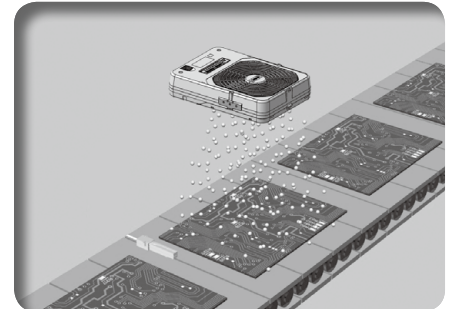
### For the static neutralization of parts feeders

Prevents the clogging of parts feeders.



### For the static neutralization of electric substrates

Prevents failures due to ESD and adhesion of dust.



## Compact fan type with simple functions *IZF10/10R Series* Page 167

- Compact design (Depth x Width x Height): 39 mm x 80 mm x 110 mm
- Weight: 280 g (IZF10), 260 g (IZF10R)
- 2 types of fans available (IZF10)
  - ◎Rapid static neutralizing fan: Discharge time (Static neutralization time)\*1  
1.5 s (When neutralizing static electricity from 1000 V to 100 V at a distance of 300 mm from the workpiece (front surface))
  - ◎Low-noise fan: 48 dB(A) (Measured at a distance of 300 mm from the workpiece),  
Rapid static neutralizing fan: 57 dB(A)
- Offset voltage (Ion balance)\*1: ±13 V
- With alarms for  
Incorrect high voltage, Maintenance warning
- With flow rate adjustment function (IZF10R)

\*1 Based on ANSI/ESD-STM3.1-2015 standards



IZS40/41/42

IZT40/41(-L)/  
42(-L)/43(-L)

IZN10E

IZF

IZG10

ZVB

IZD10/IZE11

IZH10

Antistatic  
Equipment





# CONTENTS

## IZF21/31 Series IZF10/IZF10R Series



### ● Fan Type Ionizer IZF21/31 Series

Technical Data/Static Neutralization Performance

- ① Installation Distance and Discharge Time ..... p. 155
- ② Static Neutralization Range ..... p. 156
- How to Order ..... p. 157
- Accessories ..... p. 158
- Accessories Sold Separately ..... p. 158
- Specifications ..... p. 159
- Functions and Indications ..... p. 159
- Alarm ..... p. 159
- Wiring ..... p. 160
- Wiring Circuit ..... p. 160
- Operation Chart ..... p. 161
- Dimensions ..... p. 162



With Flow Rate Adjustment Function

### ● Fan Type Ionizer IZF10/IZF10R Series

Technical Data/Static Neutralization Performance

- ① Installation Distance and Discharge Time ..... p. 166
- ② Static Neutralization Range ..... p. 166
- How to Order ..... p. 167
- Accessories ..... p. 168
- Accessories Sold Separately ..... p. 168
- Specifications ..... p. 169
- Functions and Indications ..... p. 169
- Alarm ..... p. 169
- Wiring ..... p. 170
- Wiring Circuit ..... p. 170
- Operation Chart ..... p. 172
- Dimensions ..... p. 173

● Specific Product Precautions ..... p. 175

IZS40/41/42

IZT40/41(-L)/  
42(-L)/43(-L)

IZN10E

IZF

IZG10

ZVB

IZD10/IZE11

IZH10

Antistatic  
Equipment

# IZF21/31 Series

## Technical Data

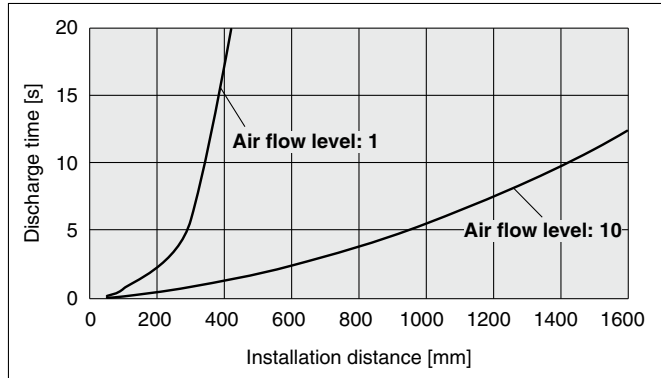


### Static Neutralization Performance

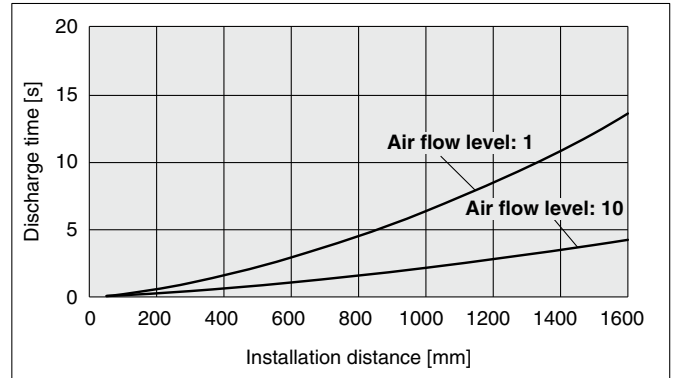
\* Static neutralization characteristics are based on data using a charged plate (Dimensions: 150 mm x 150 mm, Capacitance: 20 pF) as defined in the U.S. ANSI standards (ANSI/ESD STM3.1-2015). Use this data only as a guideline for model selection because the values vary depending on the material and/or size of the subject.

#### ① Installation Distance and Discharge Time (Discharge Time from 1000 V to 100 V)

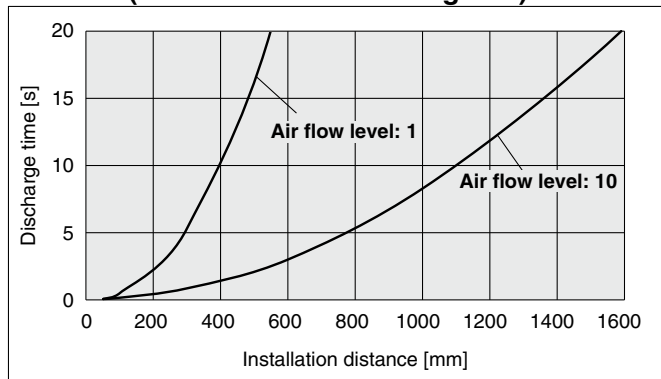
##### IZF21



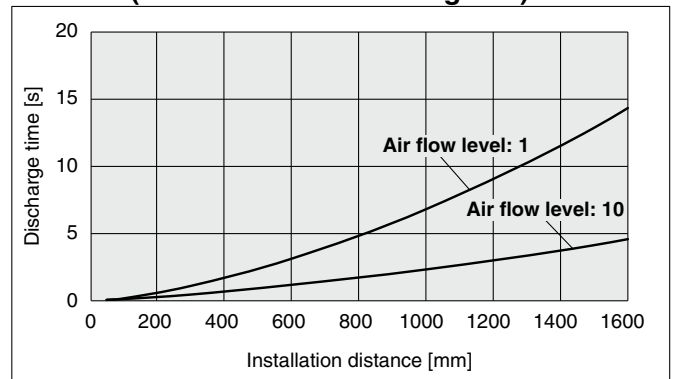
##### IZF31



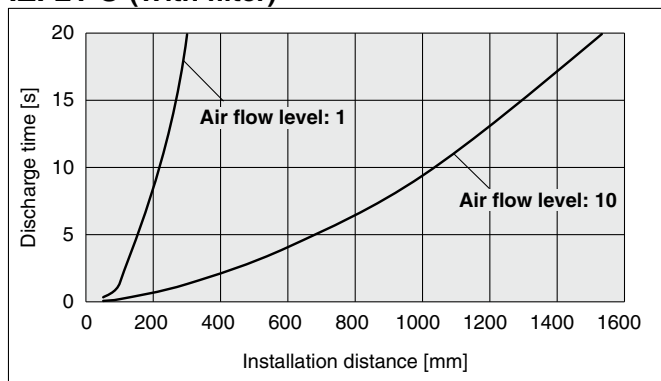
##### IZF21-S (With automatic cleaning unit)



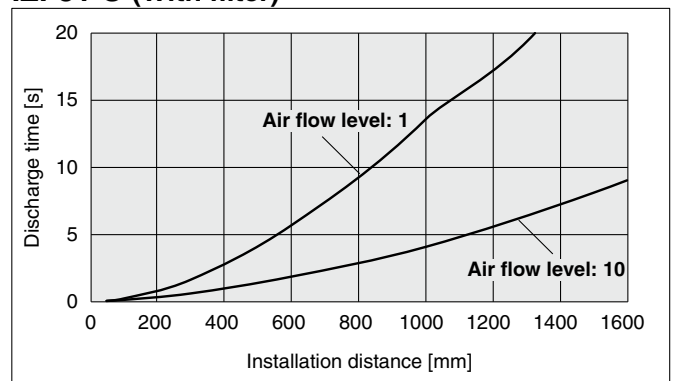
##### IZF31-S (With automatic cleaning unit)



##### IZF21-U (With filter)



##### IZF31-U (With filter)

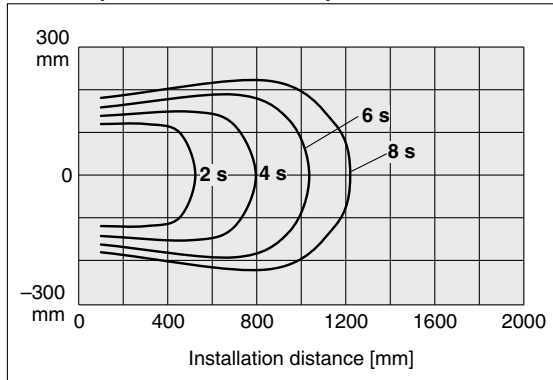


\* Static neutralization characteristics are based on data using a charged plate (Dimensions: 150 mm x 150 mm, Capacitance: 20 pF) as defined in the U.S. ANSI standards (ANSI/ESD STM3.1-2015). Use this data only as a guideline for model selection because the values vary depending on the material and/or size of the subject.

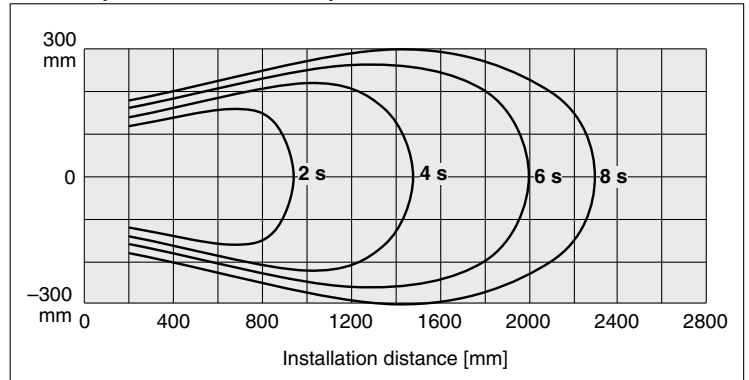
## Static Neutralization Performance

### ② Static Neutralization Range

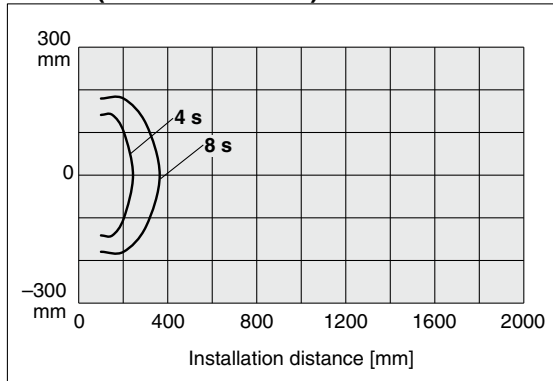
**IZF21 (Air flow level: 10)**



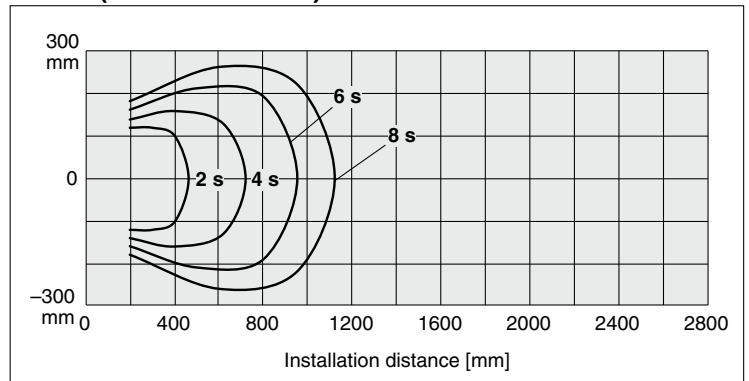
**IZF31 (Air flow level: 10)**



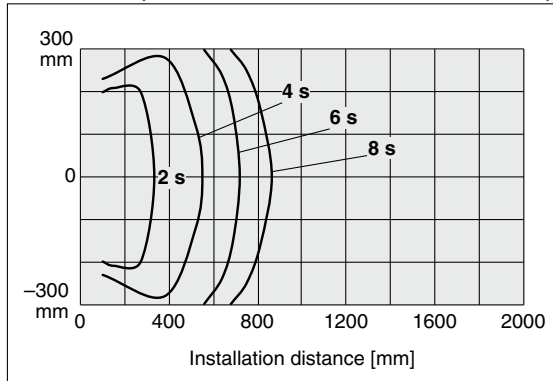
**IZF21 (Air flow level: 1)**



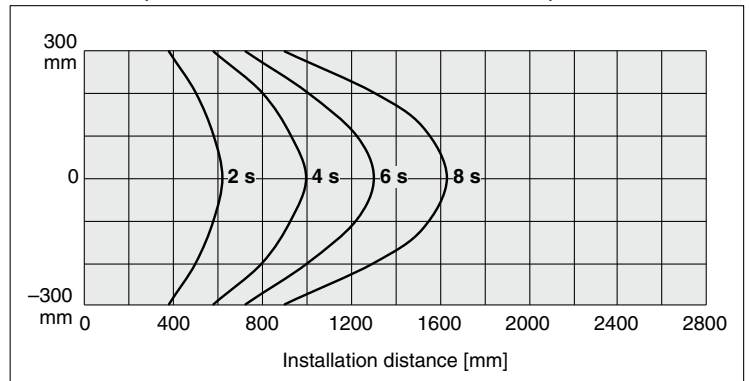
**IZF31 (Air flow level: 1)**



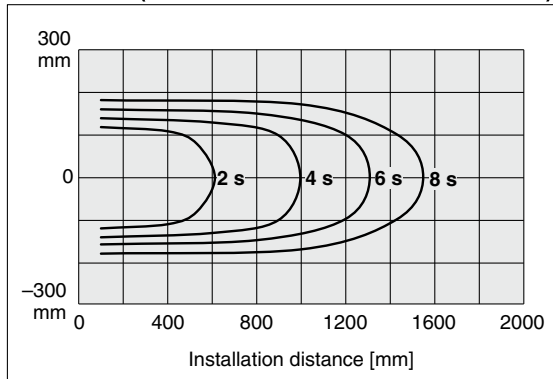
**IZF21-W (With adjustable louver: Angle setting 1, Air flow level: 10)**



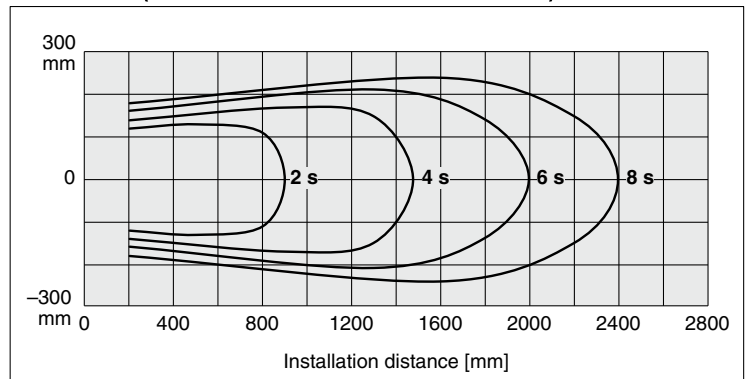
**IZF31-W (With adjustable louver: Angle setting 1, Air flow level: 10)**



**IZF21-W (With adjustable louver: Angle setting 5, Air flow level: 10)**



**IZF31-W (With adjustable louver: Angle setting 5, Air flow level: 10)**



IZS40/41/42

IZT40/41(-L)/42(-L)/43(-L)

IZN10E

IZF

IZG10

ZVB

IZD10/IZE11

IZH10

Antistatic Equipment

# Fan Type Ionizer

# IZF21/31 Series



## How to Order

IZF **21** -  -  **B**

### Model

Symbol	Max. air flow
<b>21</b>	1.8 m <sup>3</sup> /min
<b>31</b>	4.4 m <sup>3</sup> /min

### Input/Output

<b>Nil</b>	NPN input/output
<b>P</b>	PNP input/output

### Power supply cable, AC adapter

<b>Nil</b>	With power supply cable (3 m)
<b>Z</b>	With power supply cable (10 m)
<b>Q</b>	With AC adapter (With AC cord)
<b>R</b>	With AC adapter (Without AC cord)
<b>N</b>	None

### Air suction side filter

<b>Nil</b>	None
<b>U</b>	With filter*1

\*1 Filter + Filter holder

### Automatic cleaning unit, Louver (Refer to page 158 for details.)

<b>Nil</b>	None
<b>S</b>	With automatic cleaning unit
<b>W</b>	With adjustable louver
<b>Y</b>	With automatic cleaning unit + adjustable louver

### Bracket

<b>Nil</b>	None
<b>B</b>	With bracket

## Accessories (for Individual Parts)

### Emitter cartridge

#### IZF **21** - NT

• Model

21	For IZF21
31	For IZF31



### Power supply cable

#### IZS41 - CP

• Power supply cable

Nil	Power supply cable (3 m)
Z	Power supply cable (10 m)



#### IZS41 - CP **02** - X13

• Power supply cable length

01	Total length: 1 m
02	Total length: 2 m
...	...
19	Total length: 19 m
20	Total length: 20 m

\* Available in 1 m increments from 1 m to 20 m  
Use standard power supply cables for 3 m and 10 m lengths.

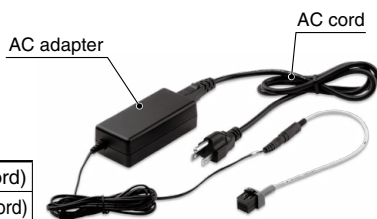
### AC adapter

#### IZF21 - C **G1**

• AC adapter

G1	AC adapter (With AC cord)
G2	AC adapter (Without AC cord)

\* When "G1" is selected, an AC cord with a rated voltage of 125 V is included.  
If using an input voltage exceeding 125 VAC, select "G2" (Without AC cord) and prepare a suitable AC cord separately.  
The external input/output function of the ionizer cannot be used when an AC adapter is being used.



### Adjustable louver

#### IZF **21** - HW

• Model

21	For IZF21
31	For IZF31



### Bracket

#### IZF **21** - B1

• Model

21	For IZF21
31	For IZF31

\* 4 retaining bolts are included.

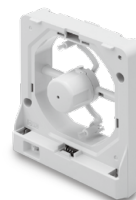


### Automatic cleaning unit

#### IZF **21** - HS

• Model

21	For IZF21
31	For IZF31

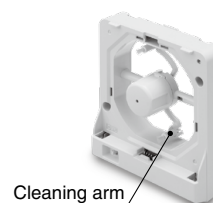


### Cleaning arm (for the automatic cleaning unit)

#### IZF **21** - M3

• Model

21	For IZF21
31	For IZF31



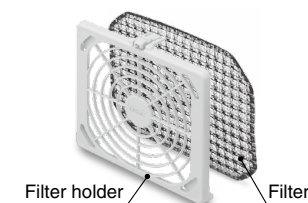
Cleaning arm  
\* Removable

### Air suction side filter

#### IZF **21** - F **L**

• Model

21	For IZF21
31	For IZF31



• Air suction side filter

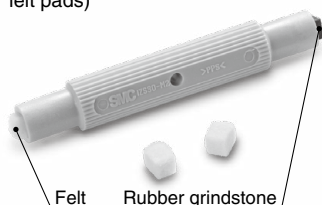
L	Filter
U	Filter + Filter holder

## Accessories Sold Separately

### Cleaning kit

#### IZS30 - M2

(With 1 felt pad, 1 rubber grindstone, and 2 replacement felt pads)



#### IZS30 - A0201

(10 replacement felt pads)



#### IZS30 - A0202

(1 replacement rubber grindstone)



### Adjustment screwdriver

#### IZS30 - M1



IZS40/41/42

IZT40/41(-L)/42(-L)/43(-L)

IZN10E

IZF

IZG10

ZVB

IZD10/IZE11

IZH10

Antistatic Equipment

# IZF21/31 Series

## Specifications

Model		IZF21-□	IZF21-P	IZF31-□	IZF31-P
		NPN	PNP	NPN	PNP
<b>Max. air flow</b>		1.8 m <sup>3</sup> /min		4.4 m <sup>3</sup> /min	
<b>Applied voltage</b>		±5 kV			
<b>Ion generation method</b>		Corona discharge type			
<b>Method of applying voltage</b>		DC type			
<b>Offset voltage (ion balance)<sup>*1</sup></b>		±5 V			
<b>Power supply voltage</b>		21.6 to 26.4 VDC (Within 24 VDC ±10%)			
<b>Current consumption</b>		0.9 A or less		1.3 A or less	
<b>Input signal</b>	<b>Ionizer stop signal</b>	Connect with 0 V Voltage range: 5 VDC or less Current consumption: 5 mA or less	Connect with +24 V Voltage range: 19 VDC to power supply voltage Current consumption: 5 mA or less	Connect with 0 V Voltage range: 5 VDC or less Current consumption: 5 mA or less	Connect with +24 V Voltage range: 19 VDC to power supply voltage Current consumption: 5 mA or less
	<b>Cleaning input signal</b>				
<b>Output signal</b>	<b>Maintenance signal</b>	Max. load current: 100 mA Residual voltage: 1 V or less (Load current: 100 mA)	Max. load current: 100 mA Residual voltage: 1 V or less (Load current: 100 mA)	Max. load current: 100 mA Residual voltage: 1 V or less (Load current: 100 mA)	Max. load current: 100 mA Residual voltage: 1 V or less (Load current: 100 mA)
	<b>Error signal</b>	Max. applied voltage: 26.4 VDC		Max. applied voltage: 26.4 VDC	
<b>Ambient temperature</b>		Operating: 0 to 50°C Stored: -10 to 60°C			
<b>Ambient humidity</b>		Operating, Stored: 35 to 80%RH (No condensation)			
<b>Material</b>		Case: ABS/PBT/Stainless steel Emitter: Tungsten			
<b>Impact resistance</b>		100 m/s <sup>2</sup>			
<b>Standards/Directive</b>		CE (EMC directive, RoHS directive, WEEE directive), UKCA			

\*1 Based on ANSI/ESD-STM3.1-2015 standards

### AC Adapter Specifications

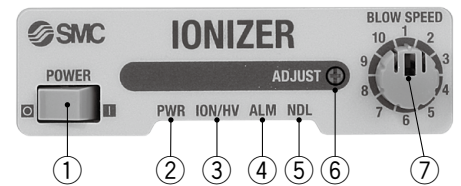
<b>Input voltage</b>	100 to 240 VAC, 50/60 Hz
<b>Output voltage</b>	24 VDC
<b>Output current</b>	1.9 A max
<b>Ambient temperature</b>	0 to 40°C, Stored: -20 to 65°C
<b>Ambient humidity</b>	Operating, Stored: 5 to 95%RH (No condensation)
<b>Weight</b>	375 g (including AC cord, connector)
<b>Safety standards</b>	IEC 62368-1

### Weights

	IZF21	IZF31
<b>Body</b>	430 g	605 g
<b>Bracket</b>	146 g	220 g
<b>Automatic cleaning unit</b>	96 g	127 g
<b>Louver</b>	33 g	58 g
<b>Filter</b>	15 g	26 g

## Functions and Indications

No.	Name	Panel display	Type	Description
1	<b>Power supply switch</b>	POWER	Switch	Switch to turn this product ON and OFF.
2	<b>Power supply indicator</b>	PWR	LED (Green/Red)	Green lights up when the power supply is ON. Green flashes if the power supply is abnormal. Red flashes if the CPU is abnormal.
3	<b>Static neutralization operation/Incorrect high voltage indicator</b>	ION/HV	LED (Green/Red)	Green lights up when static neutralization is operated. Red lights up if incorrect high voltage is detected. Red flashes if the CPU is abnormal.
4	<b>Error indicator</b>	ALM	LED (Red)	Red lights up if fan motor failure or automatic cleaning failure is detected. Red flashes if the CPU is abnormal.
5	<b>Maintenance indicator</b>	NDL	LED (Green/Red)	Green lights up when emitters require cleaning. Green flashes when automatic cleaning is performed. Red flashes if emitter cartridge mounting failure, automatic cleaning failure or CPU failure is detected.
6	<b>Balance adjustment</b>	ADJUST	Trimmer	Adjusts offset voltage (ion balance)
7	<b>Air flow adjustment</b>	BLOW SPEED	Rotary switch	Adjusts air flow with fan

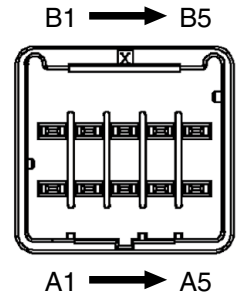


## Alarm

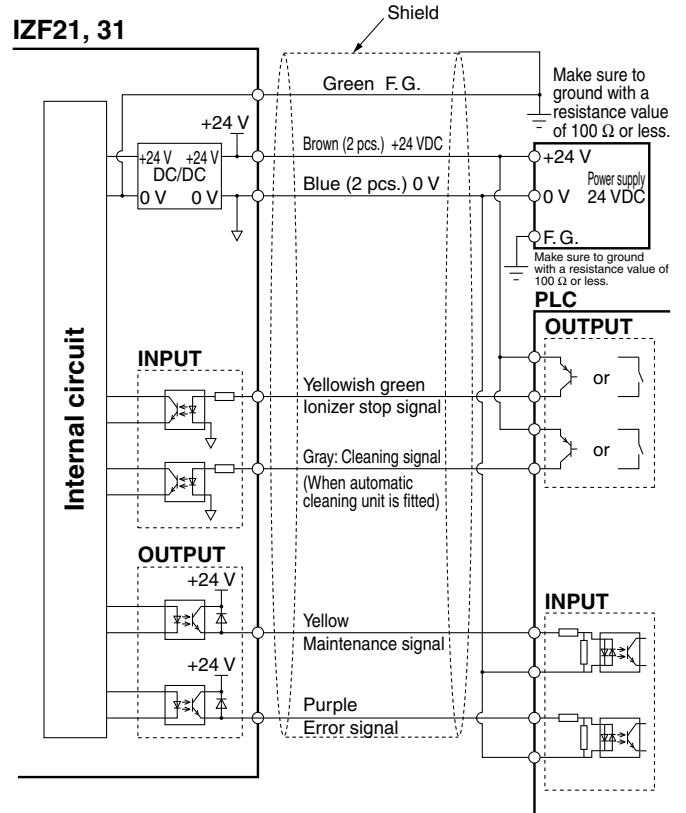
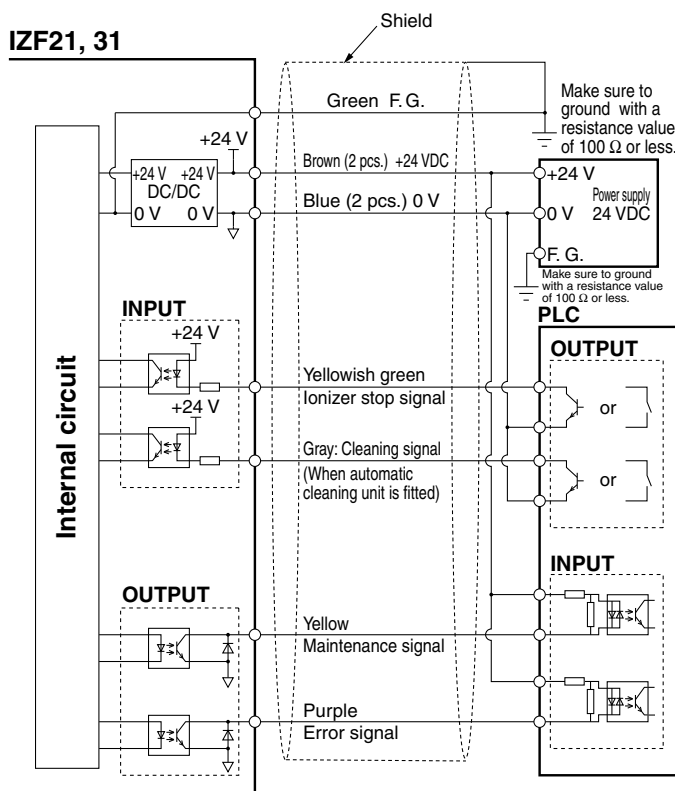
Alarm name	Output signal	LED ON	LED (Flashes at 1 Hz)	Operation after alarm generated	Description	Action to reset alarm
<b>Power supply failure</b>	Error signal OFF (B contact)	—	PWR (Green)	Stop	Connected power supply voltage is outside of specification.	Reset automatically.
<b>Incorrect high voltage</b>	Error signal OFF (B contact)	ION/HV (Red)	—	Stop	If an abnormal high voltage discharge occurs	Input the ionizer stop signal or supply power again.
<b>Fan motor failure</b>	Error signal OFF (B contact)	ALM (Red)	—	Stop	Incorrect ionizer operation due to foreign matter in fan motor	Input the ionizer stop signal or supply power again.
<b>CPU failure</b>	Error signal OFF (B contact)	—	PWR (Red) ION/HV (Red) ALM (Red) NDL (Red)	Stop	CPU error due to noise, etc.	Supply power again.
<b>Excess current on output circuit</b>	Error signal OFF (B contact) Maintenance signal OFF (A contact)	—	—	Continue	If excess current is present on the output circuit and protection circuit is activated	Reset automatically.
<b>Maintenance warning</b>	Maintenance signal ON (A contact)	NDL (Green)	—	Continue	When static electricity neutralization performance is reduced due to contamination or wear of the emitters	Input the ionizer stop signal or supply power again.
<b>Emitter cartridge mounting failure</b>	Error signal OFF (B contact)	NDL (Red)	—	Stop	Emitter cartridge is not mounted.	Supply power again.
<b>Automatic cleaning failure</b>	Error signal OFF (B contact)	ALM (Red)	NDL (Red)	Stop	Error during automatic cleaning operation	Supply power again.

## Wiring

Pin no.	Cable color	Signal name	Signal direction	Description
A1	Brown	+24 VDC	IN	Connects to the power supply to operate this product
B1				
A2	Blue	0 V	IN	
B2				
A3	Green	F. G.	—	
B3	Yellowish green	Ionizer stop signal	IN	Signal input to turn the ventilation with fan and ion generation ON/OFF NPN type: To stop fan and ion generation, connect to 0 V. (It operates when disconnected.) PNP type: To stop fan and ion generation, connect to +24 VDC. (It operates when disconnected.)
A4	Gray	Cleaning signal	IN	When an automatic cleaning unit is fitted, cleaning of the emitters will start.
B4	Yellow	Maintenance signal	OUT (A contact)	Turns ON when cleaning due to emitter contamination and/or replacement due to wear is required or when automatic cleaning is being performed (when an automatic cleaning unit is fitted) Turns OFF during output circuit over current error
A5	Purple	Error signal	OUT (B contact)	Turns OFF if power supply failure, incorrect high voltage, fan motor failure, CPU failure, excess current on the output circuit, emitter cartridge mounting failure, or automatic cleaning failure (for product with automatic cleaning function) is detected (ON when there is no problem)
B5	White	—	—	—



## Wiring Circuit



IZS40/41/42

IZT40/41(-L)/  
42(-L)/43(-L)

IZN10E

IZF

IZG10

ZVB

IZD10/IZE11

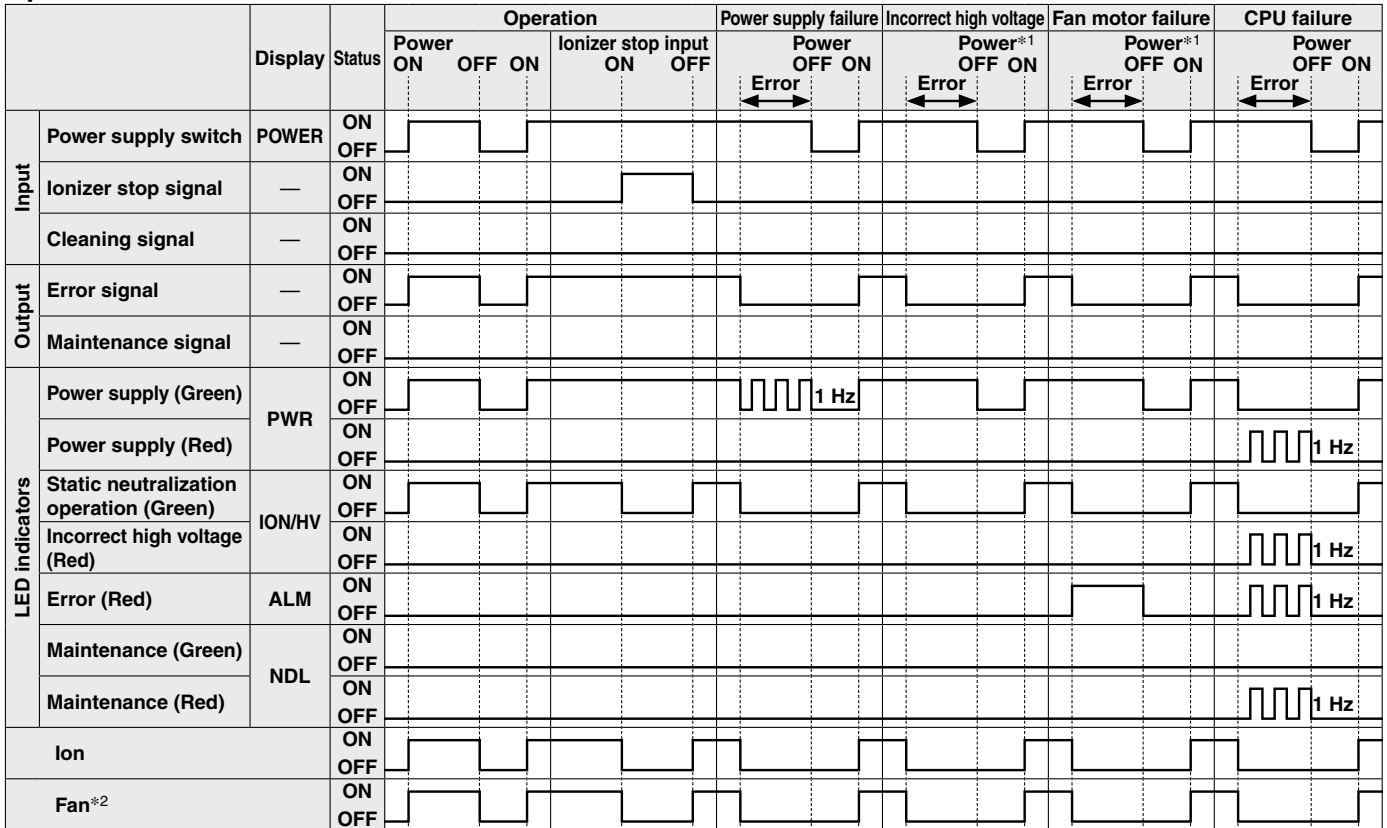
IZH10

Antistatic  
Equipment

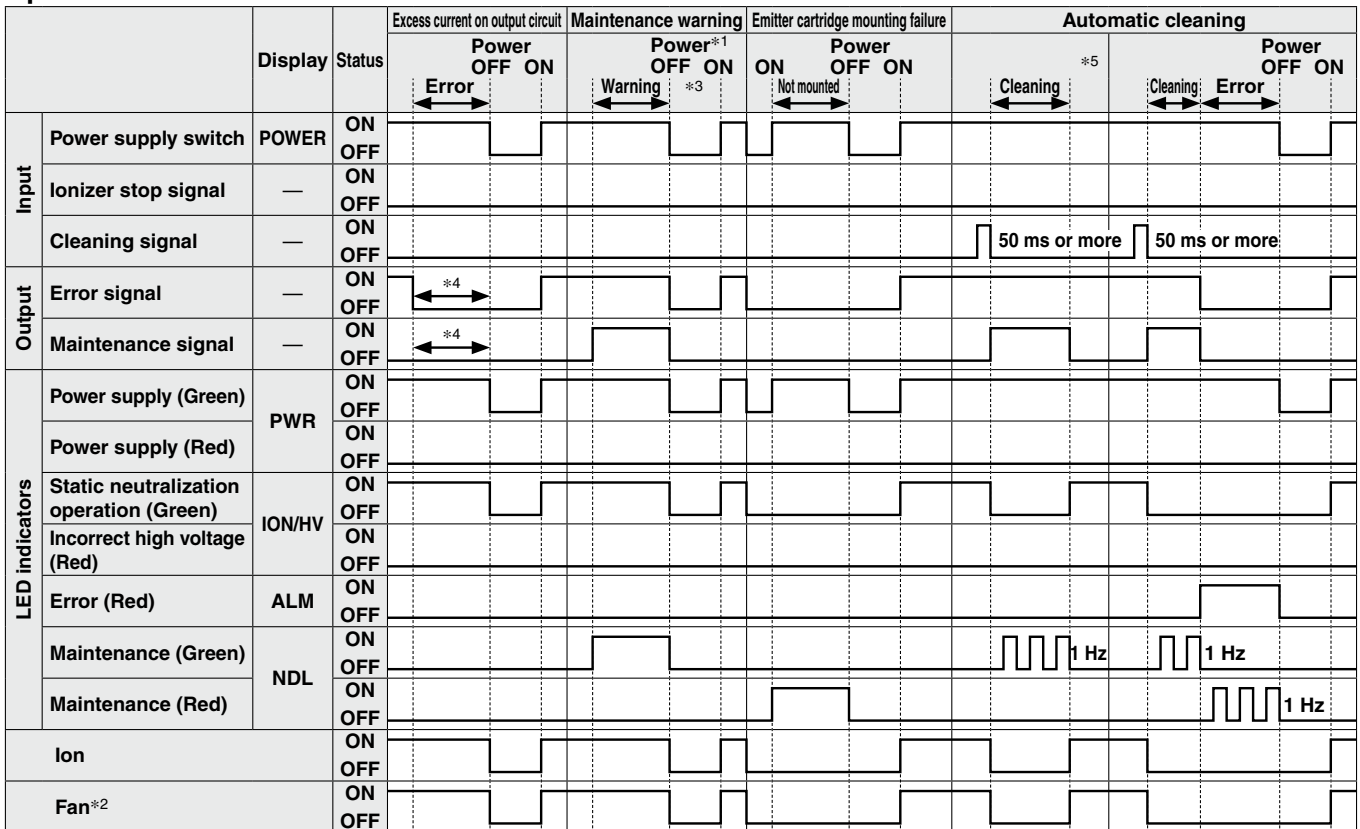
# IZF21/31 Series

## Operation Chart

### Operation Chart 1



### Operation Chart 2



\*1 Incorrect high voltage, fan motor failure, and maintenance warning can also be released by the ionizer stop signal after resolving the error.

\*2 Fan rotation stops gradually because of its rotational inertia.

\*3 Ensure the power supply is turned off before clearing errors or cleaning emitters. If an alarm continues to be generated even after cleaning, the emitters may be worn out or damaged. If wear or damage to the emitters is detected, replace the emitter cartridge with a new one.

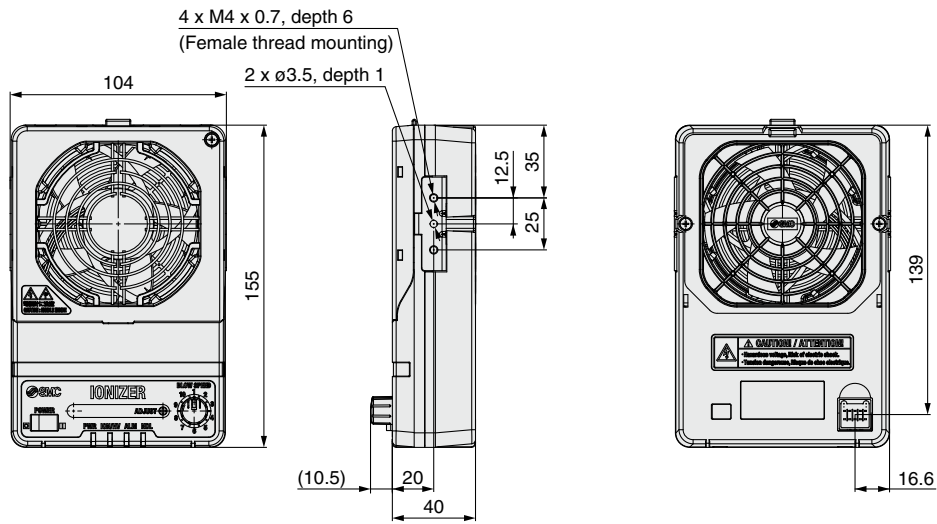
\*4 When excess current flows to the error signal or maintenance signal, the signal will be turned OFF to protect the output circuit.

\*5 The cleaning time is approx. 2 s.



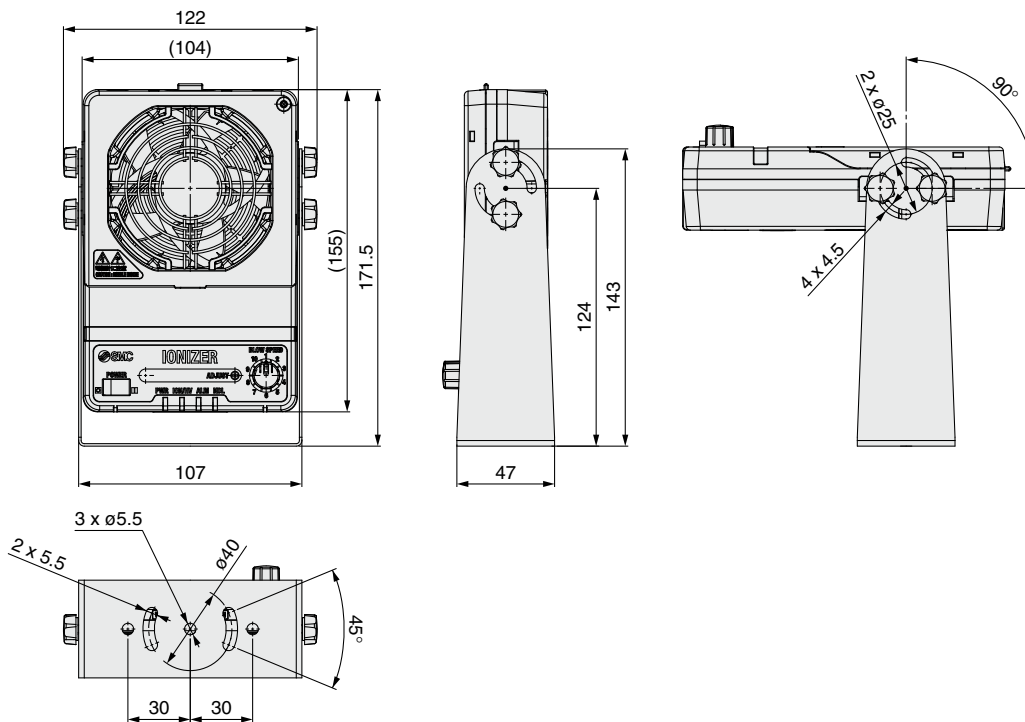
## Dimensions

IZF21-□-□□□□



## Bracket

IZF21-□-□B□□



IZS40/41/42

IZT40/41(-L)/  
42(-L)/43(-L)

IZN10E

IZF

IZG10

ZVB

IZD10/IZE11

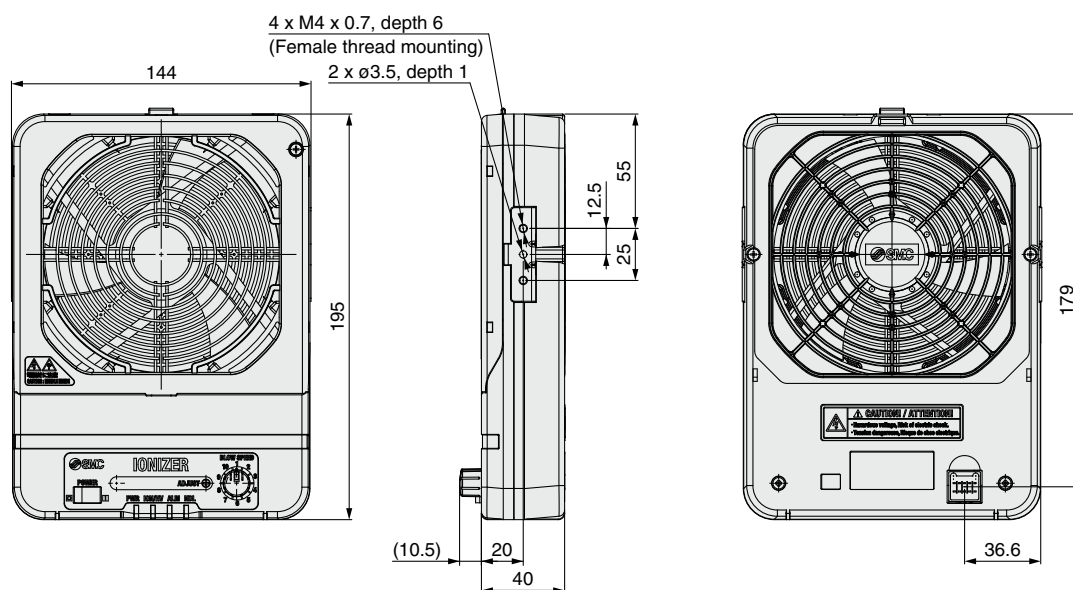
IZH10

Antistatic  
Equipment

# IZF21/31 Series

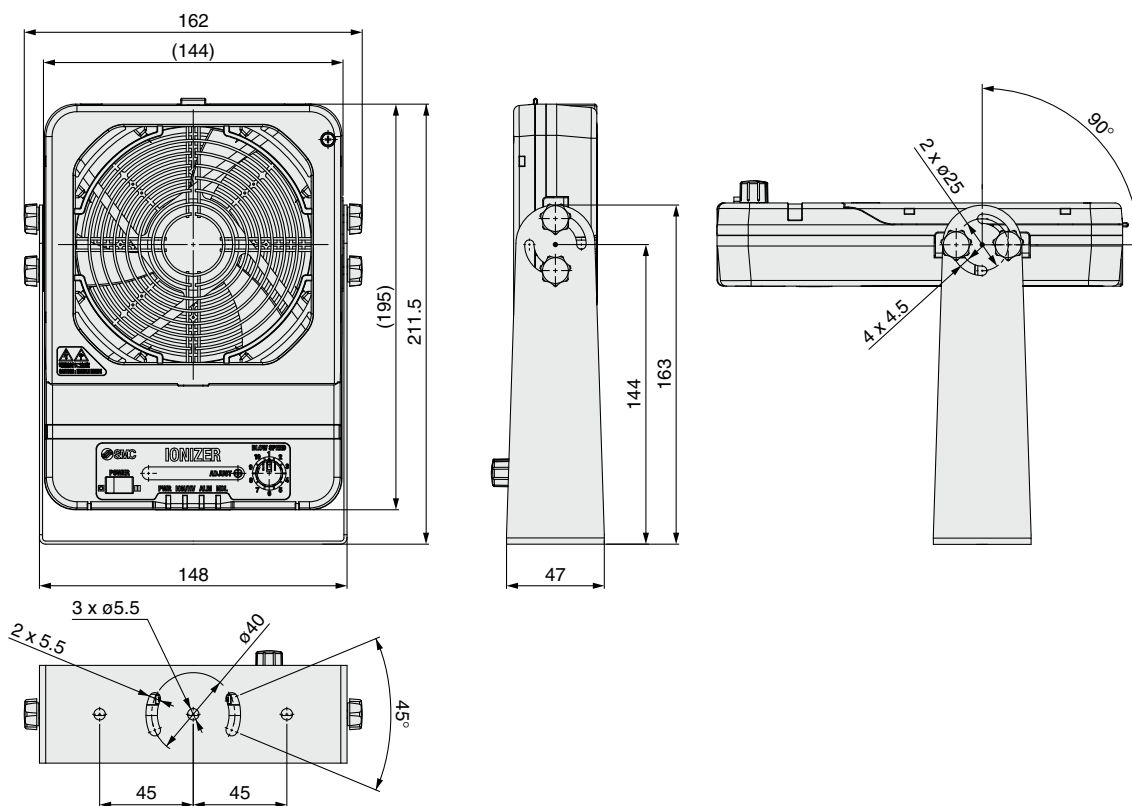
## Dimensions

IZF31-□-□□□□



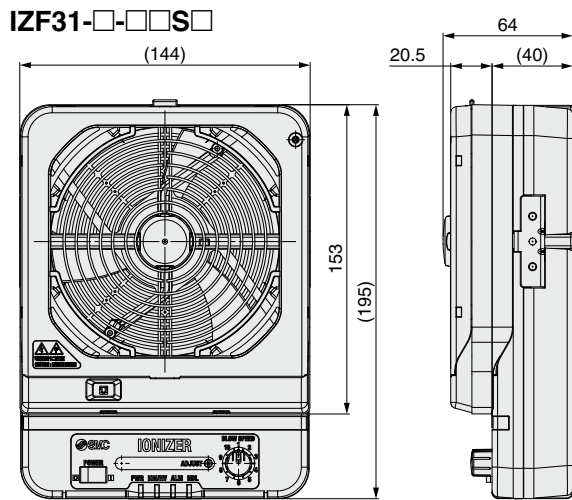
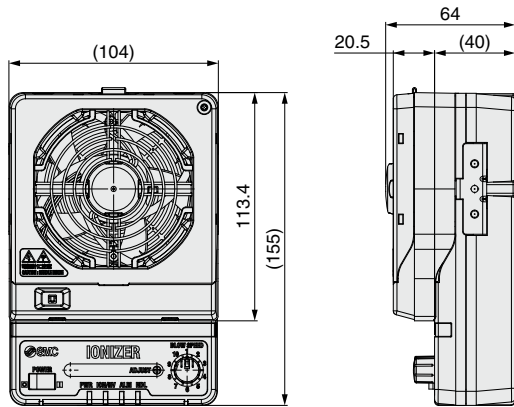
## Bracket

IZF31-□-□B□□

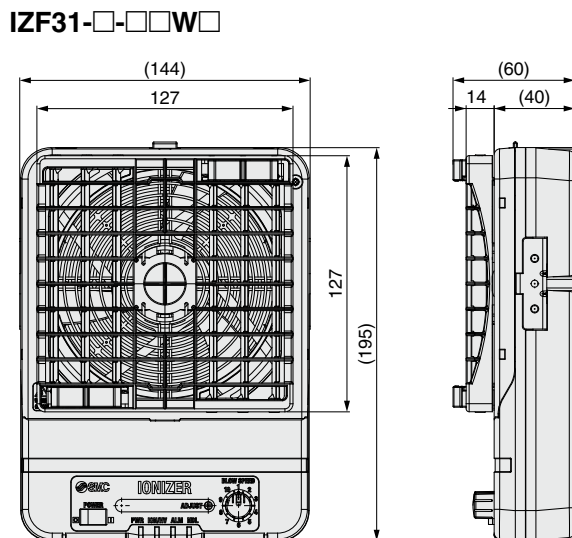
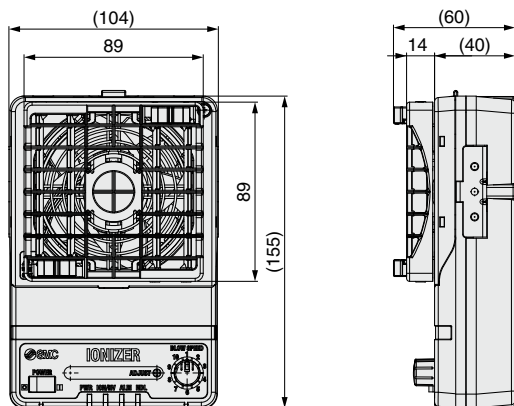


## Dimensions

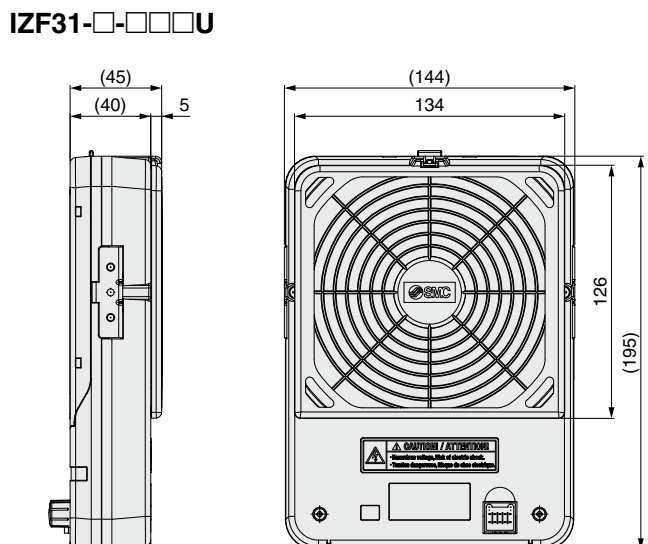
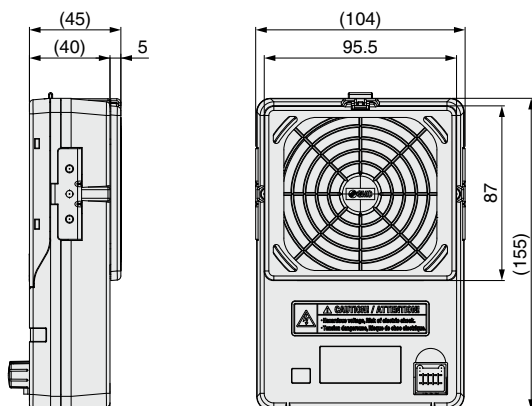
With automatic cleaning unit  
IZF21-□-□□S□



With adjustable louver  
IZF21-□-□□W□



With filter  
IZF21-□-□□□U



IZS40/41/42

IZT40/41(-L)/  
42(-L)/43(-L)

IZN10E

IZF

IZG10

ZVB

IZD10/IZE11

IZH10

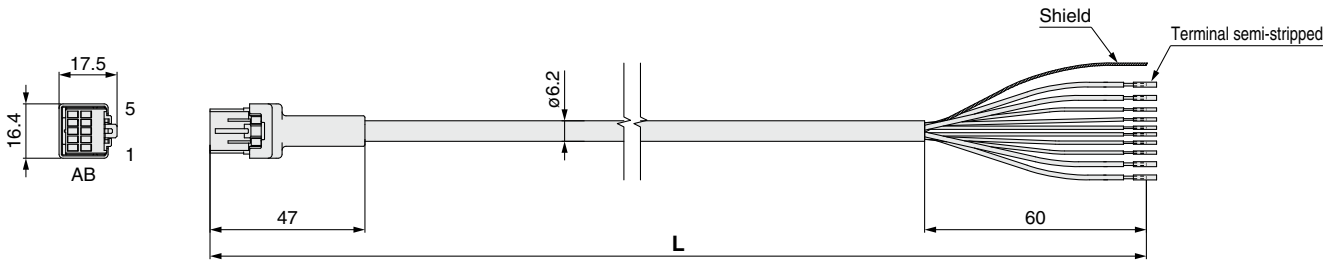
Antistatic  
Equipment

# IZF21/31 Series

## Dimensions

### Power supply cable IZS41-CP

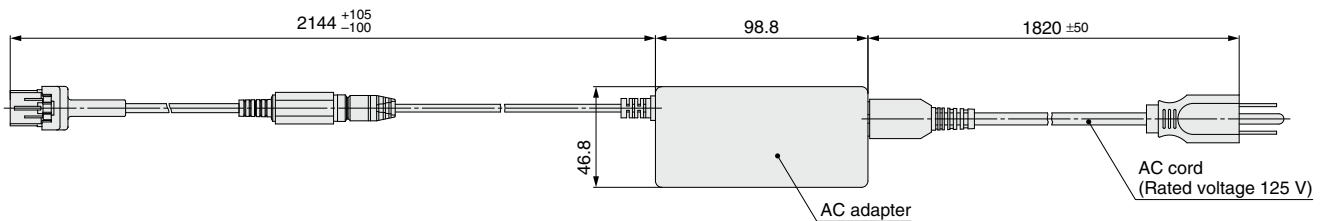
Part no.	L
IZS41-CP	3000 $^{+60}_0$
IZS41-CPZ	9850 $^{+100}_0$



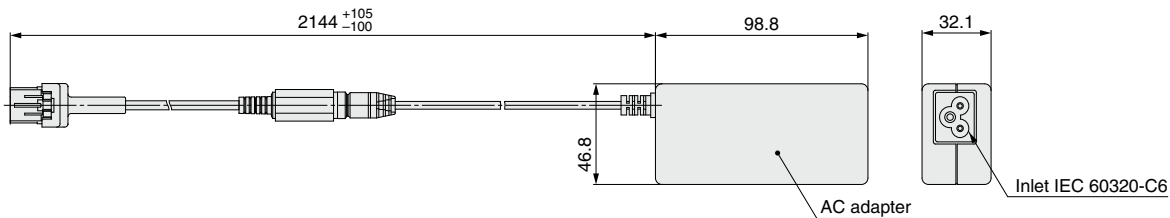
### Cable Specifications

No. of cable wires/Size	10 pcs./AWG20 (4 pcs.), AWG28 (6 pcs.)	
Conductor	Nominal cross section	0.54 mm <sup>2</sup> (4 pcs.) 0.09 mm <sup>2</sup> (6 pcs.)
	Outside diameter	0.96 mm <sup>2</sup> (4 pcs.) 0.38 mm <sup>2</sup> (6 pcs.)
Insulator	Outside diameter	1.4 mm Blue, Brown 0.7 mm White, Green, Light green, Purple, Gray, Yellow
	Material	Heat-resistant PVC
Sheath	Material	Heat-resistant PVC
	Outside diameter	6.2 mm

### AC adapter IZF21-CG1 (With AC cord)



### IZF21-CG2 (Without AC cord)



\* The input (AC) side and output (DC) side of the AC adapter are not isolated.  
If using the AC adapter as DC power supply for a different product, this may cause electric shock or malfunction.  
Do not use the AC adapter for the DC power supply of a different product.

# IZF10/IZF10R Series Technical Data

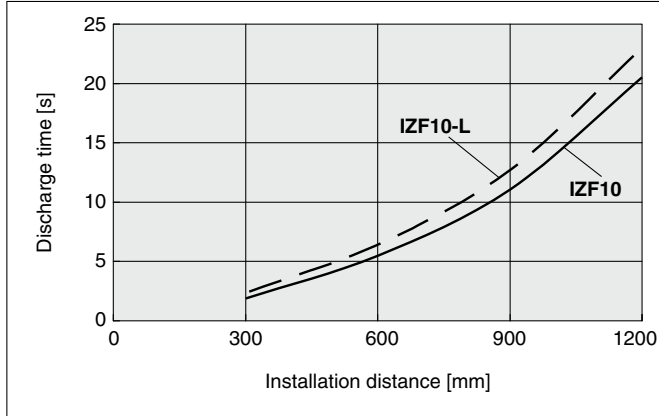


\* Static neutralization characteristics are based on data using a charged plate (Dimensions: 150 mm x 150 mm, Capacitance: 20 pF) as defined in the U.S. ANSI standards (ANSI/ESD STM3.1-2015). Use this data only as a guideline for model selection because the values vary depending on the material and/or size of the subject.

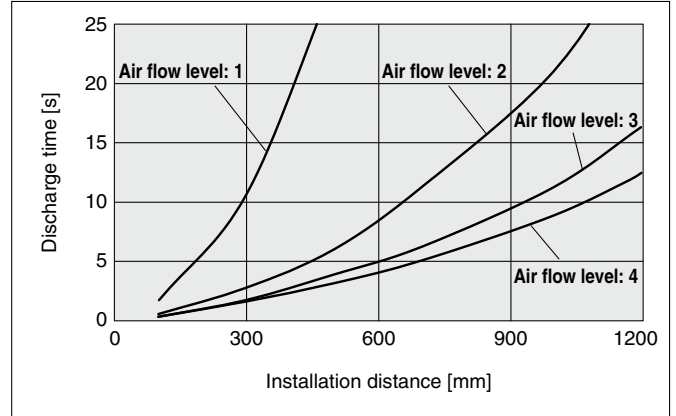
## Static Neutralization Performance

### ① Installation Distance and Discharge Time (Discharge Time from 1000 V to 100 V)

#### IZF10

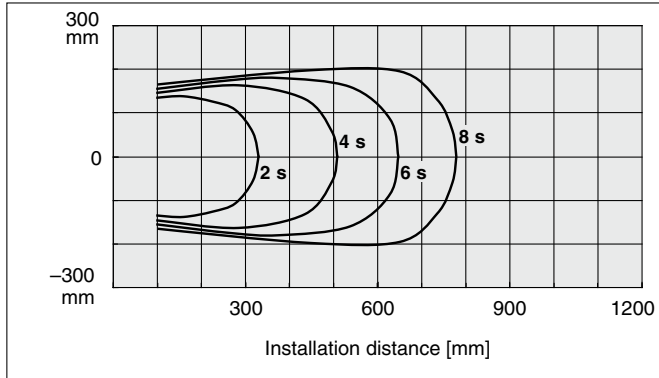


#### IZF10R

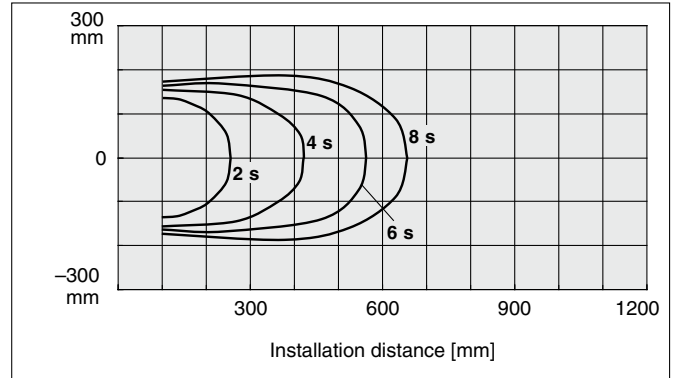


### ② Static Neutralization Range

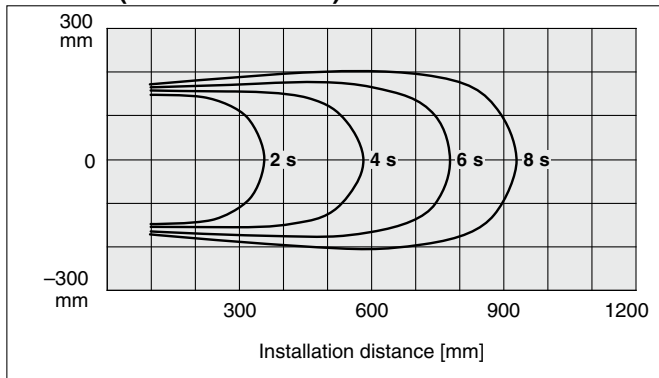
#### IZF10



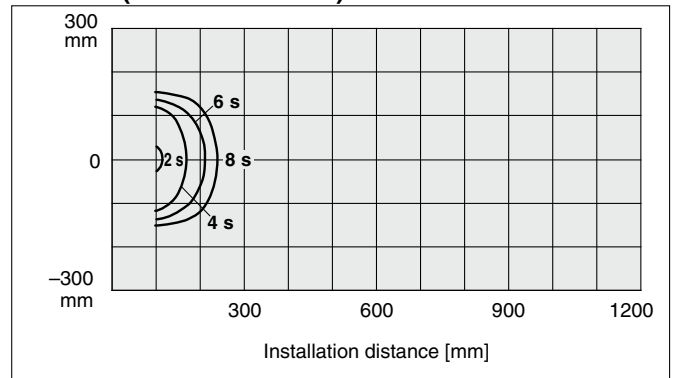
#### IZF10-L



#### IZF10R (Air flow level: 4)



#### IZF10R (Air flow level: 1)



IZS40/41/42

IZT40/41(-L)/  
42(-L)/43(-L)

IZN10E

IZF

IZG10

ZVB

IZD10/IZE11

IZH10

Antistatic  
Equipment

IZF  
10

IZF  
10R

# Fan Type Ionizer

# IZF10/IZF10R Series



## How to Order



With flow rate adjustment function

### Without Flow Rate Adjustment Function

IZF10 - [ ] - [ ] - [ ] B

Compact fan type

Air flow

Nil	0.66 m <sup>3</sup> /min
L	0.46 m <sup>3</sup> /min

### With Flow Rate Adjustment Function

IZF10R - [ ] - [ ] B

Compact fan type

With flow rate adjustment function  
(0.19 to 0.80 m<sup>3</sup>/min)

Bracket

Nil	None
B	With bracket

Output

Nil	NPN output
P	PNP output

Power supply cable, AC adapter

Nil	With power supply cable (3 m)
Z	With power supply cable (10 m)
H*1	e-con connector
Q	With AC adapter (With AC cord)
R	With AC adapter (Without AC cord)
N	None

\*1 A power supply connector for customers supplying their own cable  
Can only be used if the IZF10 is selected

## Accessories (for Individual Parts)

### Power supply cable

**IZF10**   - **C** P IZF 10 IZF 10R

#### Power supply cable

<b>P</b>	Power supply cable (3 m)
<b>PZ</b>	Power supply cable (10 m)

#### Flow rate adjustment function

<b>Nil</b>	Without flow rate adjustment function (For the IZF10)
<b>R</b>	With flow rate adjustment function (For the IZF10R)



Without flow rate adjustment function  
Power supply cable for the IZF10



With flow rate adjustment function  
Power supply cable for the IZF10R

### AC adapter

**IZF10**   - **C** G1 IZF 10 IZF 10R

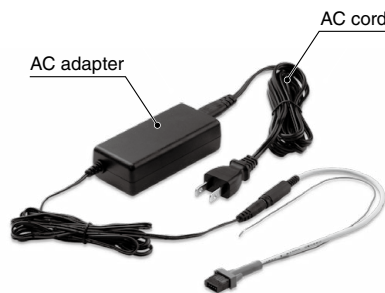
#### AC adapter

<b>G1</b>	AC adapter (With AC cord)
<b>G2</b>	AC adapter (Without AC cord)

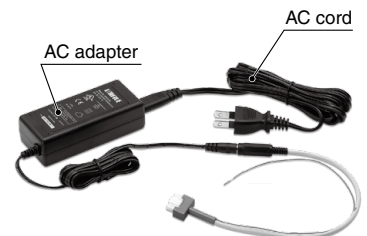
\* The AC cord has a rated voltage of 125 V. If using an input voltage exceeding 125 VAC, select "G2" (Without AC cord) and prepare a suitable AC cord separately.

#### Flow rate adjustment function

<b>Nil</b>	Without flow rate adjustment function
<b>R</b>	With flow rate adjustment function



Without flow rate adjustment function



With flow rate adjustment function

### e-con connector

**ZS-28-C** IZF 10



\* Applicable wire size: AWG26 to 24, Conductor cross sectional area: 0.14 to 0.2 mm<sup>2</sup>, Finished outside diameter: ø0.8 to ø1.0 mm

### Cartridge case

**IZF 10 - A1** IZF 10 IZF 10R

#### Flow rate adjustment function

<b>10</b>	Without flow rate adjustment function
<b>10R</b>	With flow rate adjustment function



For with flow rate adjustment function

### Bracket

**IZF10 - B1** IZF 10 IZF 10R

\* 4 retaining bolts are included.

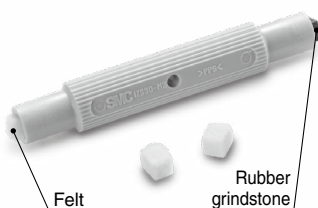


## Accessories Sold Separately

### Cleaning kit

**IZS30 - M2**

(With 1 felt pad, 1 rubber grindstone, and 2 replacement felt pads)



**IZS30 - A0201**

(10 replacement felt pads)



**IZS30 - A0202**

(1 replacement rubber grindstone)



### Adjustment screwdriver

**IZS30 - M1**



# IZF10/IZF10R Series

## Specifications

Model	IZF10-□□	IZF10-L-□□	IZF10R-□□	IZF10-P-□□	IZF10-LP-□□	IZF10R-P-□□
Max. air flow	0.66 m <sup>3</sup> /min	0.46 m <sup>3</sup> /min	0.80 m <sup>3</sup> /min (Max.)	0.66 m <sup>3</sup> /min	0.46 m <sup>3</sup> /min	0.80 m <sup>3</sup> /min (Max.)
Ion generation method	Corona discharge type					
Method of applying voltage	DC type					
Applied voltage	±5 kV					
Offset voltage (ion balance)*1	Within ±13 V					
Power supply voltage	21.6 to 26.4 VDC (Within 24 VDC ±10%)					
Power consumption	220 mA or less	140 mA or less	270 mA or less	250 mA or less	170 mA or less	270 mA or less
Switch output	NPN open collector output Max. load current: 80 mA Residual voltage: 1 V or less (Load current: 80 mA) Max. load voltage: 26.4 VDC		NPN open collector output Max. load current: 150 mA Residual voltage: 1 V or less (Load current: 150 mA) Max. load voltage: 26.4 VDC		PNP open collector output Max. load current: 80 mA Residual voltage: 1 V or less (Load current: 80 mA)	
Ambient temperature	Operating: 0 to 50°C, Stored: -10 to 60°C					
Ambient humidity	Operating, Stored: 35 to 80%RH (No condensation)					
Material	Case: ABS/Stainless steel, Emitter: Tungsten					
Weight	280 g (With bracket: 360 g)		260 g (With bracket: 340 g)		280 g (With bracket: 360 g)	
Standards/Directive	CE (EMC directive, RoHS directive, WEEE directive), UKCA					

\*1 Based on ANSI/ESD-STM3.1-2015 standards

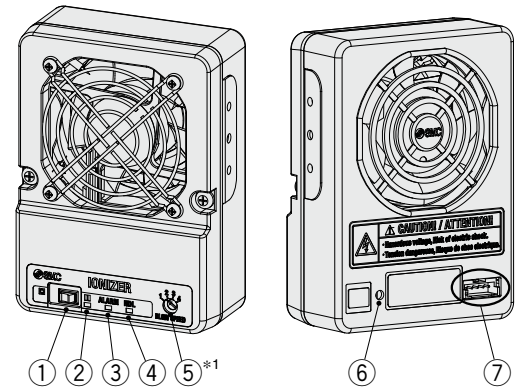
### AC Adapter (IZF10/10R-CG1, IZF10/10R-CG2)

Input voltage	100 to 240 VAC, 50/60 Hz
Output voltage	24 VDC
Output current	1 A max
Ambient temperature	0 to 40°C, Stored: -20 to 65°C
Ambient humidity	Operating, Stored: 10 to 90%RH (No condensation)
Safety standards	IEC 62368-1

## Functions and Indications

No.	Name	Panel display	Type	Description
1	Power supply switch	—	Switch	Switch to turn this product ON and OFF.
2	Power supply indicator	—	LED (Green/Orange)	The LED is ON green when power is supplied to this product, and is ON orange during an incorrect high voltage alarm or output signal over current alarm.
3	Error indicator	ALARM	LED (Red)	The LED turns ON when an incorrect voltage alarm is generated for 100 ms or more.
4	Maintenance indicator	NDL	LED (Green)	The LED is ON green when the emitter is contaminated or worn.
5	Air flow adjustment*1	BLOW SPEED	Rotary switch	Adjusts air flow with fan
6	Balance adjustment	—	Trimmer	Adjusts offset voltage (ion balance)
7	Connector	—	Connector	Connect the power supply cable or AC adapter.

\*1 Only for the IZF10R



## Alarm

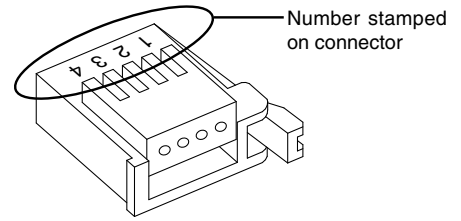
Alarm name	Output signal at the time of alarm*1	LED	Operation after alarm generated	Description	Action to reset alarm
Incorrect high voltage	Error signal OFF (B contact)	Power supply (Orange) Error indicator (Red)	Stop	Incorrect function of the high voltage circuit for 100 ms or more	Supply power again.
Excess current on output circuit	Signal due to excess current OFF	Power supply (Orange)	Continue	Excess current is present on the output circuit.	Reset automatically.
Maintenance warning	Maintenance signal ON (A contact)	Maintenance warning (Green)	Continue	When static electricity neutralization performance is reduced due to contamination or wear of the emitters	Supply power again.

\*1 NPN/PNP open collector output



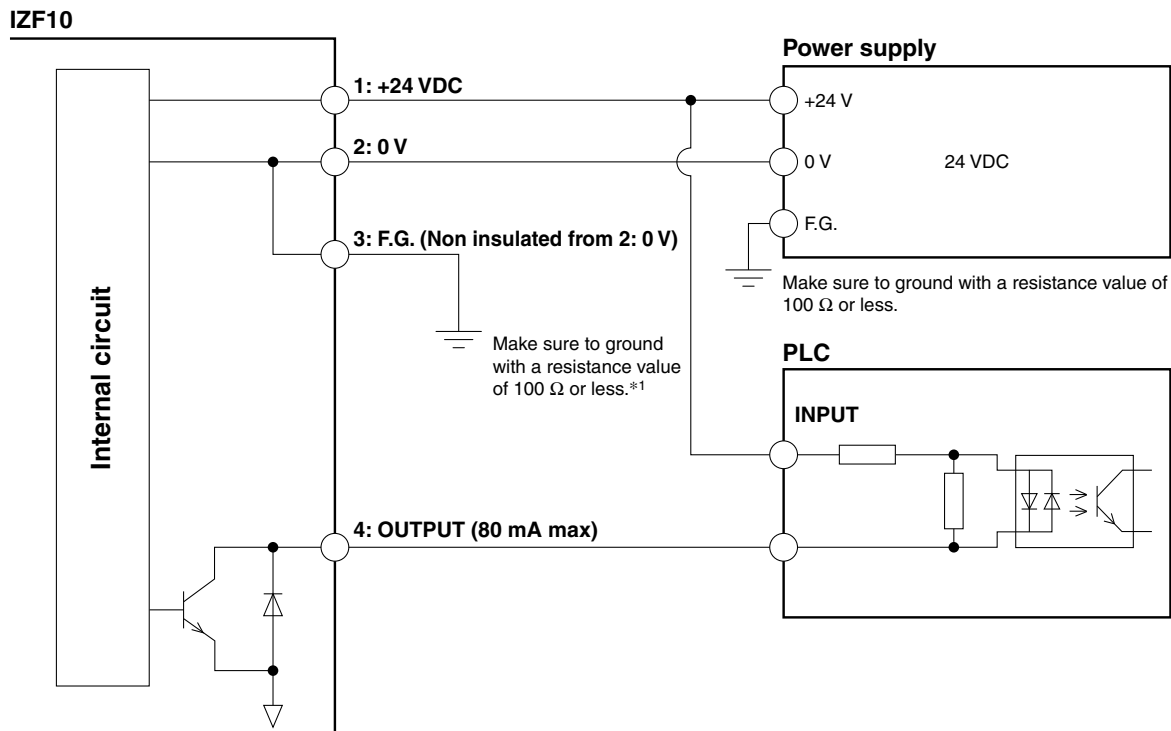
## Wiring: IZF10

Pin no.	Signal name	Description
1	+24 VDC	Connects to the power supply to operate this product
2	0 V	
3	F.G.	Frame ground of the product. Not insulated from 0 V (pin no. 2) inside the product (negative ground). Make sure to ground with a resistance value of 100 $\Omega$ or less to use it as a reference electric potential for the offset voltage.
4	Error signal	The error signal turns OFF when a high voltage alarm or output signal over current is generated. (ON when there is no problem)

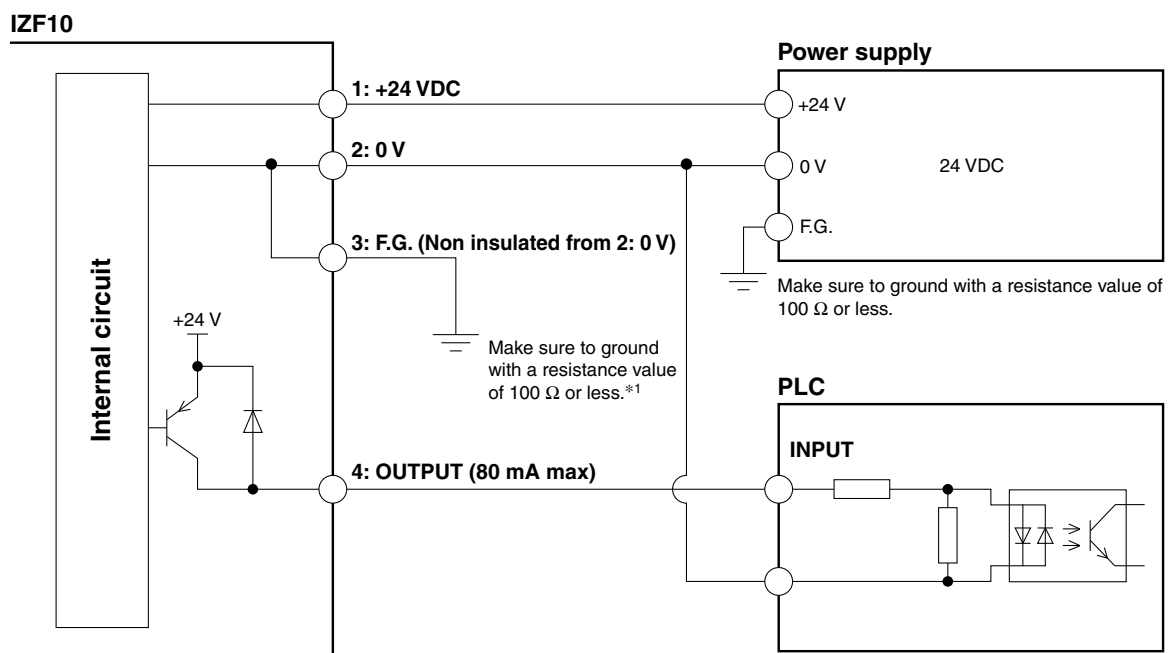


## Wiring Circuit: IZF10

**NPN output**



**PNP output**

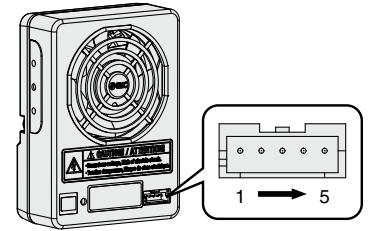


\*1 Make sure to ground with a resistance value of 100  $\Omega$  or less to use it as a reference electric potential for the offset voltage. As the 0 V power supply is grounded (negative ground), it is recommended that a dedicated power supply be used to operate this product. If any device other than this product is connected to this power supply, it may cause a malfunction or damage to other devices when noise, etc., enters from the F.G.

# IZF10/IZF10R Series

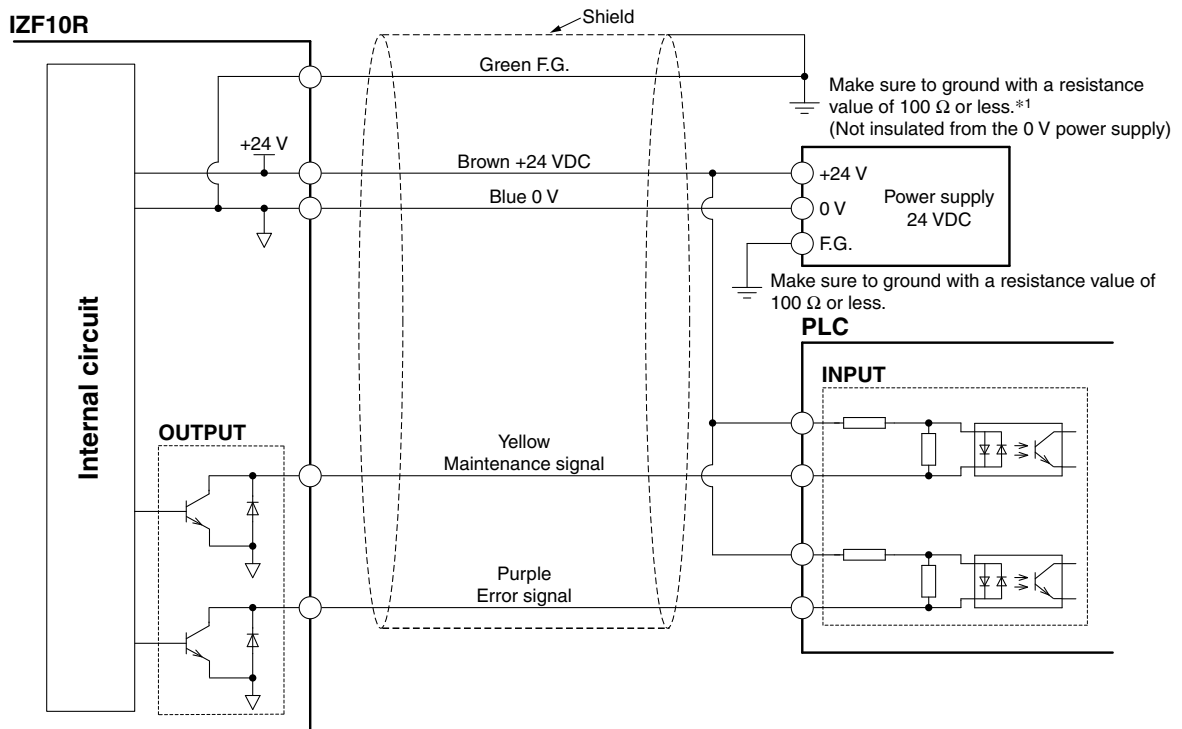
## Wiring: IZF10R

Pin no.	Cable color	Signal name	Conductor size (AWG)	Signal direction	Description
1	Brown	+24 VDC	26	IN	Connects to the power supply to operate this product
2	Blue	0 V	26	IN	
3	Green	F.G.	26	—	Frame ground of the product. Not insulated from 0 V (blue) inside the product. Make sure to ground with a resistance value of 100 Ω or less to use it as a reference electric potential for the offset voltage.
4	Yellow	Maintenance signal	26	OUT (A contact)	Turns ON when the emitter is contaminated or worn
5	Purple	Error signal	26	OUT (B contact)	The error signal turns OFF when a high voltage alarm or output signal over current is generated. (ON when there is no problem)

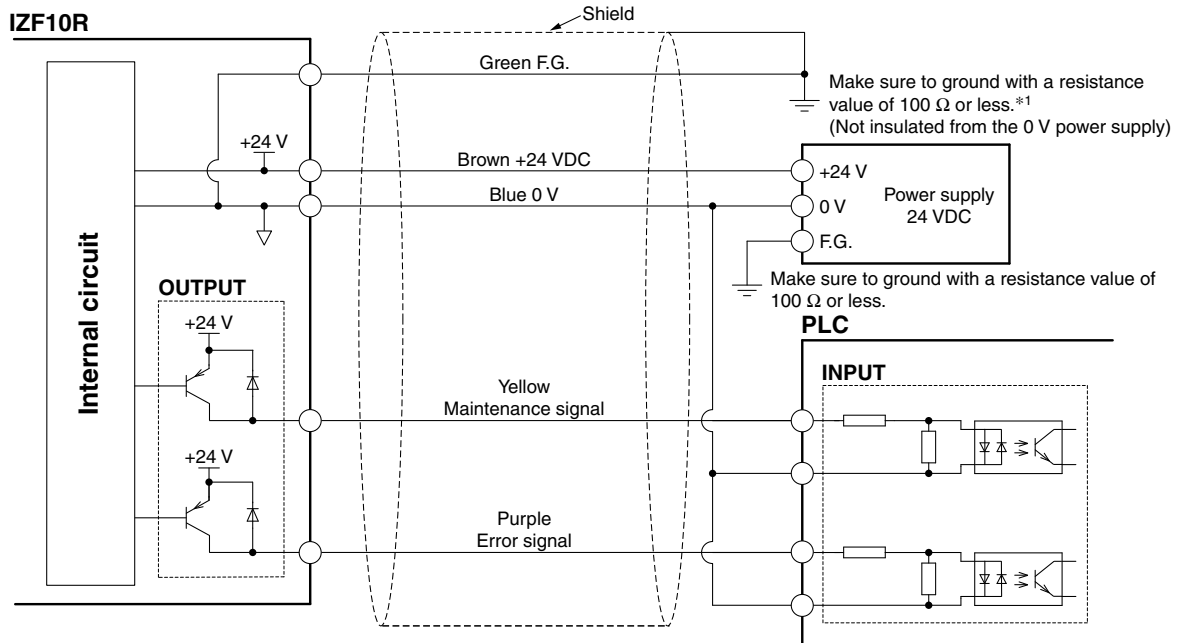


## Wiring Circuit: IZF10R

### NPN output



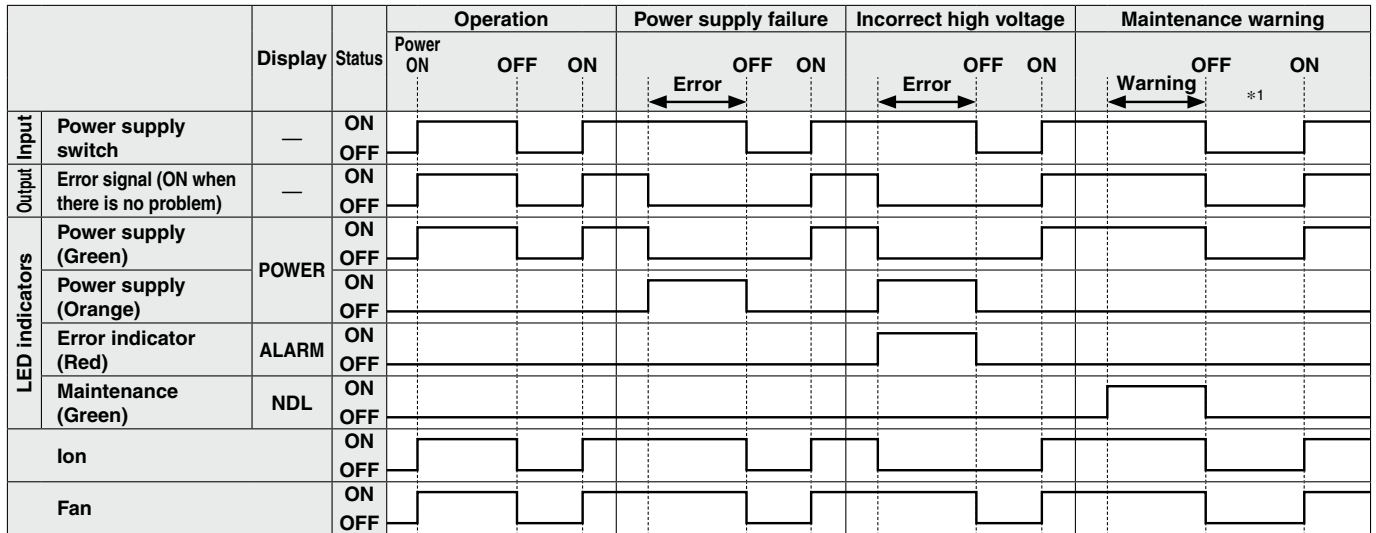
### PNP output



\*1 Make sure to ground with a resistance value of 100 Ω or less to use it as a reference electric potential for the offset voltage. As the 0 V power supply is grounded (negative ground), it is recommended that a dedicated power supply be used to operate this product. If any device other than this product is connected to this power supply, it may cause a malfunction or damage to other devices when noise, etc., enters from the F.G.

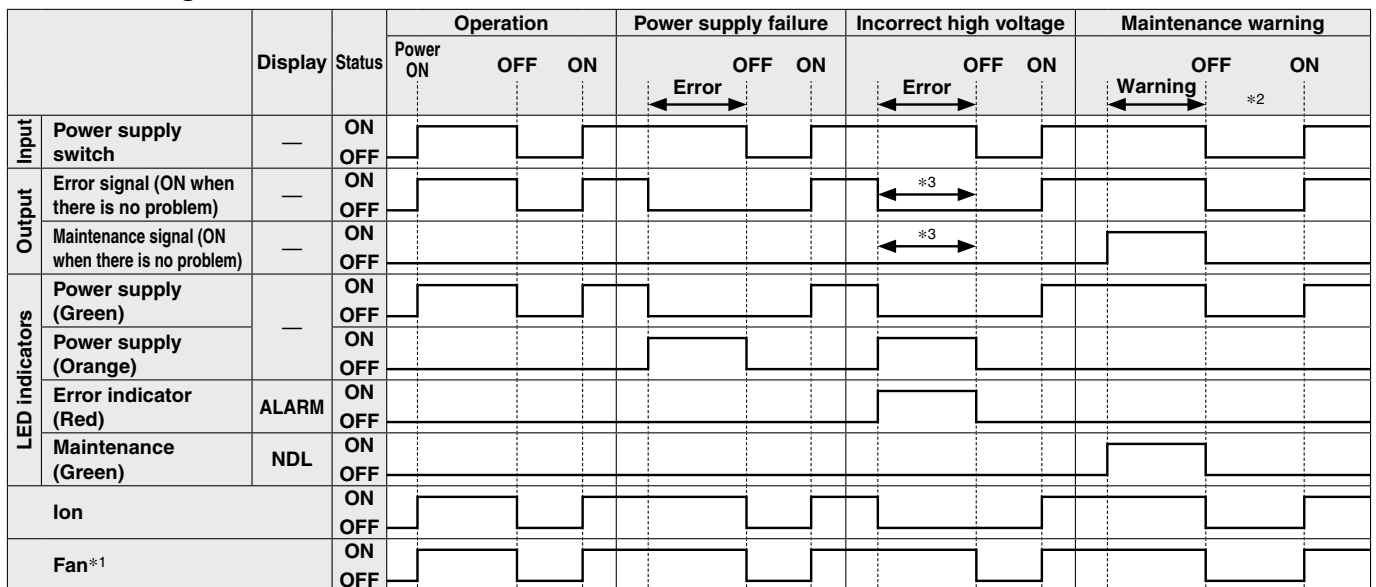
## Operation Chart

### IZF10 Timing Chart



\*1 Cleaning or replacing the emitters should never be performed while the power is being supplied to the product. If an alarm continues to be generated even after cleaning, the emitters may be worn out or damaged. If wear or damage to the emitters is detected, replace the emitter cartridge with a new one.

### IZF10R Timing Chart



\*1 Fan motor rotation does not stop immediately due to inertial force even when the power supply is OFF.

\*2 Cleaning or replacing the emitters should never be performed while the power is being supplied to the product. If an alarm continues to be generated even after cleaning, the emitters may be worn out or damaged. If wear or damage to the emitters is detected, replace the emitter cartridge with a new one.

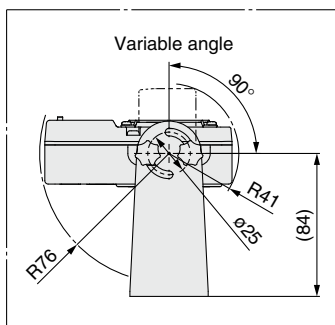
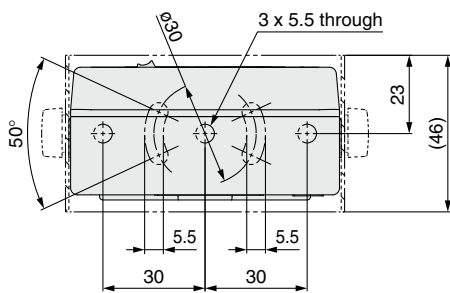
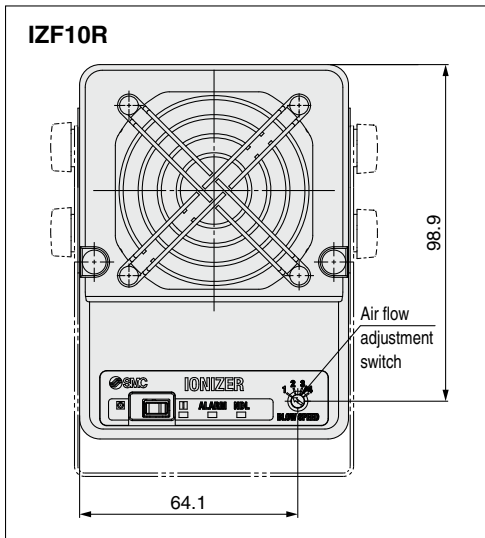
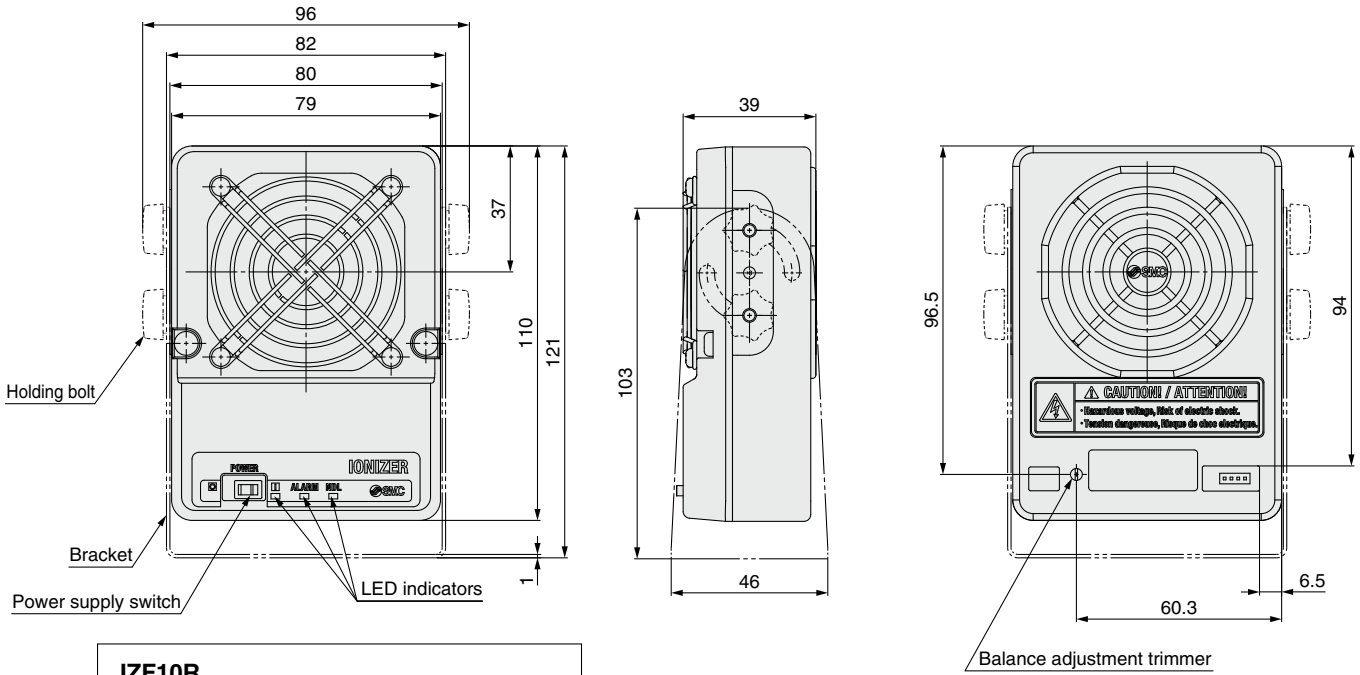
\*3 When excessive current flows to the output signal, the signal will be turned OFF to protect the output circuit.

### Precautions for use in a clean room

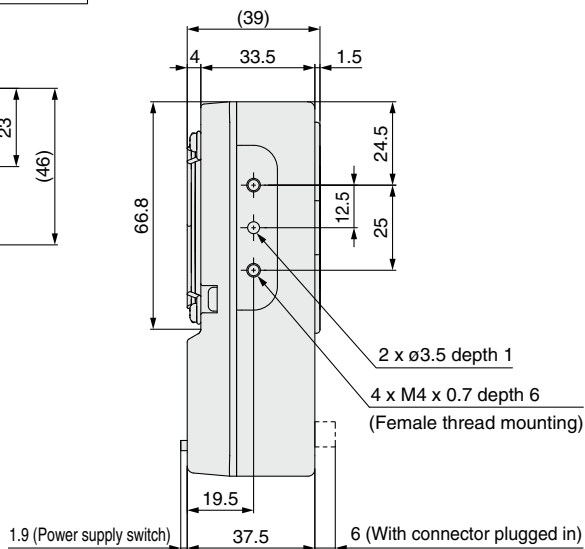
When using in a clean room environment, confirm the required cleanliness before use. Fine particles are generated due to wear of emitters and motor sliding during operation.

# IZF10/IZF10R Series

## Dimensions



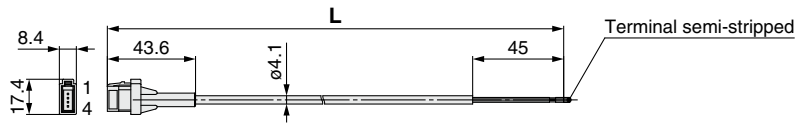
### Without bracket



## Dimensions

### Power supply cable

#### IZF10-CP□

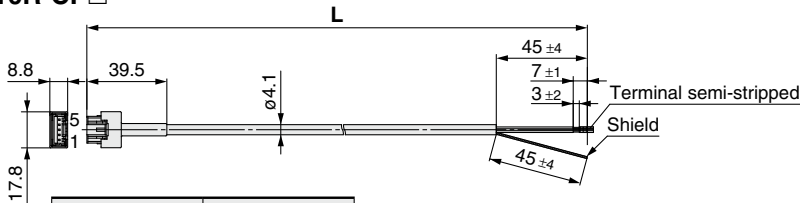


Part no.	L
IZF10-CP	3000 $^{+60}_0$
IZF10-CPZ	9850 $^{+100}_0$

#### Wiring: IZF10

Pin no.	Cable color	Signal name	Conductor size (AWG)
1	Brown	+24 VDC	24
2	Blue	0 V	24
3	Green	F. G.	24
4	Purple	Error signal	24

#### IZF10R-CP□



Part no.	L
IZF10R-CP	3000 $^{+60}_0$
IZF10R-CPZ	9850 $^{+100}_0$

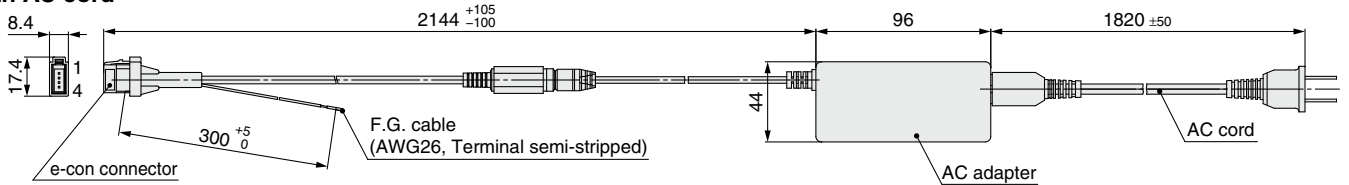
#### Wiring: IZF10R

Pin no.	Cable color	Signal name	Conductor size (AWG)
1	Brown	+24 VDC	26
2	Blue	0 V	26
3	Green	F. G.	26
4	Yellow	Maintenance	26
5	Purple	Error signal	26

### AC adapter

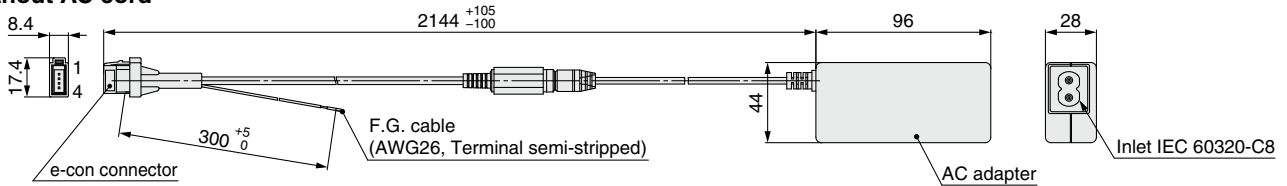
#### IZF10-CG1

##### With AC cord

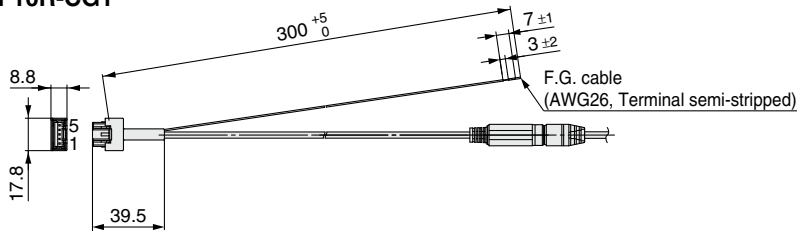


#### IZF10-CG2

##### Without AC cord



#### IZF10R-CG1



\* An AC cord is only for use in Japan. (Rated voltage 125 V, Plug JIS C 8303, Inlet IEC 60320-C8)  
The external output function cannot be used when an AC adapter is being used.



## IZF Series

# Specific Product Precautions 1

Be sure to read this before handling the products. Refer to page 227 for safety instructions.

### Selection

#### Warning

**1. This product is intended to be used with general factory automation (FA) equipment.**

If considering using the product for other applications (especially those stipulated on Safety Instructions), please consult with SMC beforehand.

**2. Use within the specified voltage and temperature ranges.**

Using outside of the specified voltage can cause a malfunction, damage, electric shock, or fire.

**3. This product is not explosion-protected.**

Never use this product in locations where the explosion of dust is likely to occur or flammable or explosive gases are used. This can cause a fire.

#### Caution

**1. Clean specification is not available with this product.**

When using in a clean room environment, confirm the required cleanliness before use. Fine particles are generated due to wear of emitters and motor sliding during operation.

### Mounting

#### Warning

**1. Reserve enough space for maintenance and wiring.**

Install the product and cables taking into consideration the removal of the power supply connector and emitter maintenance. The cable bending should not be less than the min. bending radius so that stress is not applied to the power supply connector. If the cable is bent in an acute angle or load is applied to the cable successively, it may cause a malfunction, wire breakage, or fire.

**2. Mount this product on a plane surface.**

Mounting on an uneven surface will apply excess force to the frame or case, which leads to damage or failure. Do not drop the product or subject it to a strong impact. This may cause an injury or accident.

**3. Avoid using in a place where noise (electromagnetic wave and surge) is generated.**

If the product is used in an environment where noise is generated, it may lead to deterioration or damage of the internal elements. Take measures to prevent noise at its source and avoid power and signal lines from coming into close contact.

**4. Use the correct tightening torque.**

If the screws are tightened in excess of the specified torque range, it may damage the mounting screws, mounting brackets, etc. If the tightening torque is insufficient, the mounting screws and brackets may become loose.

**5. Do not apply tape or stickers to the product body.**

If a tape or seal contains any conductive adhesive or reflective paint, a dielectric phenomenon may occur due to the generated ions, resulting in electrostatic charge or electric leakage. Avoid using such tape and seals as it will not only cause difficulties in maintaining the performance of the product, but may also result in the failure of the product.

**6. Ensure the power supply is removed before installing and adjusting the product.**

### Mounting

#### Caution

**1. Provide sufficient space on the air intake side of this product.**

This product ventilates with a fan motor. If there are obstacles such as a wall on the air suction side of the product, the ventilation will be obstructed, decreasing the performance. Install the ionizer so that the air suction side of the product is at least 20 mm (for IZF10, IZF10R, IZF21) or 30 mm (for IZF31) away from any obstacles.

**2. Make sure to confirm the effect of static neutralization after installation.**

The effects vary depending on the ambient conditions, operating conditions, etc. After installation, verify the effects of static neutralization.

**3. When installing ionizers which operate in DC mode (one polarity, positive or negative) close together, they should be positioned at least 2 m away from each other. (IZF21, 31)**

When an ionizer is used close to the ionizer which operates in DC mode, separate them by at least 2 m. The offset voltage (ion balance) may not be adjusted by the built-in sensor due to the ions discharged from the ionizer which operates in DC mode.

**4. Do not apply an excessive force to the finger guard.**

If an excessive external force is applied to the finger guard (including the filter holder) on the air suction side of the product, it may be broken. Do not apply an external force of 50 N or more to the finger guard.

### Wiring

#### Warning

**1. Before wiring, ensure that the power supply capacity is larger than the specification and that the voltage is within the specification.**

**2. To maintain product performance, the power supply shall be UL listed Class 2 certified by National Electric Code (NEC) or evaluated as a limited power source provided by UL60950.**

**3. Make sure to ground the F.G. cable with a resistance value of 100  $\Omega$  or less according to the instructions in this catalog. An incomplete ground or no grounding not only prevents the performance of the product from being maintained, but may also cause failure or damage of the product, or electric shock to the human body.**

**4. Wiring (including insertion and removal of the power supply connector) should never be performed while the power is being supplied to the product.**

**5. Ensure the safety of wiring and surrounding conditions before supplying power.**

**6. Do not connect or disconnect the connectors (including power source) while the power is being supplied. Failure to follow this procedure may cause product malfunction.**

**7. If the ionizer wiring and high-power lines are routed together, this product may malfunction due to noise. Therefore, use a separate wiring route for this product.**

**8. Confirm that the wiring is correct before operation. Incorrect wiring will lead to product damage or malfunction.**



## IZF Series

# Specific Product Precautions 2

Be sure to read this before handling the products. Refer to page 227 for safety instructions.

### Operating Environment / Storage Environment

#### Warning

- 1. Use within the specified ambient temperature range.**  
The specified ambient temperature range for ionizer is 0 to 50°C, and for AC adapter is 0 to 40°C. Avoid sudden temperature changes even within specified ambient temperature range, as it may cause a condensation.
- 2. Do not use this product in an enclosed space.**  
This product utilizes a corona discharge phenomenon. Do not use the product in an enclosed space as ozone and nitrogen oxides exist in such places, even though in marginal quantities.
- 3. Environments to avoid**  
Avoid using and storing this product in the following environments as they may cause a failure, fire, etc.
  - a. Environments where the ambient temperature exceeds the operating temperature range
  - b. Environments where the ambient humidity exceeds the operating humidity range
  - c. Areas where abrupt temperature changes may cause condensation
  - d. Areas where corrosive gases, flammable gases, or other volatile flammable substances are stored
  - e. Areas where the product may be exposed to conductive powder such as iron powder or dust, oil mist, salt, organic solvent, machining chips, particles, cutting oil (including water and any liquids), etc.
  - f. Areas where ventilated air from an air conditioner is directly applied to the product
  - g. Enclosed or poorly ventilated areas
  - h. Locations which are exposed to direct sunlight or heat radiation
  - i. Areas where strong electromagnetic noise is generated, such as strong electrical and magnetic fields or supply voltage spikes
  - j. Areas where the product is exposed to static electricity discharge
  - k. Locations where strong, high frequencies are generated
  - l. Locations that are subject to potential lightning strikes
  - m. Areas where the product may receive direct impact or vibration
  - n. Areas where the product may be subjected to forces or weight that could cause physical deformation
- 4. The product does not incorporate protection against lightning surges. (IZF10, IZF10R)**
- 5. Effects on implantable medical devices**  
This product may cause interference with implantable medical devices such as cardiac pacemakers and cardioverter defibrillators, resulting in the malfunction of the medical device or other adverse effects.  
Please exercise extreme caution when operating equipment which may have an adverse effect on your implantable medical device. Be sure to thoroughly read the precautions stated in the catalog, operation manual, etc., of your implantable medical device, or contact the manufacturer directly for further details on what types of equipment need to be avoided.

### Maintenance

#### Warning

- 1. Periodically inspect the ionizer and clean the emitters.**  
It is recommended to perform maintenance every week or when the maintenance warning function turns ON.  
Check the product regularly to make sure it is not operating with undetected failures. Maintenance must be performed by an operator who has sufficient knowledge and experience. If the product is used for an extended period with dust present on the emitters, the product performance will be reduced.  
If the emitters become worn and the product performance is not restored after cleaning, replace the cartridge cases.
- 2. Cleaning and replacement of the emitters should never be performed while the power is being supplied to the product.**  
The fan will rotate due to inertial force even when the power supply is OFF. Confirm that the fan does not move before performing cleaning or replacing the emitters.  
Never perform cleaning or replacing the emitters when the fan motor is rotating. The fan rotation may cause an injury.  
Never touch the electrodes with the power supplied to this product. An electric shock may cause an injury.
- 3. Do not disassemble or modify the product.**  
Disassembling or modifying the product may cause accidents such as electric shock, failure, or fire. The product will no longer be warranted if it is disassembled and/or modified.
- 4. Do not operate the product with wet hands.**  
Never operate the product with wet hands. It may cause an electric shock or other accidents.

#### Caution: High Voltage

This product contains a high voltage generation circuit. When performing maintenance or inspection, be sure to confirm that the power supply to the ionizer is turned OFF. Never disassemble or modify the ionizer as this may not only impair the product's functionality but could also cause an electric shock or electric leakage.

#### Caution

- 1. Do not drop, hit, or apply excessive shock (100 m/s<sup>2</sup> or more) to the product when handling it.**  
Even if the body appears undamaged, the internal components may be damaged, leading to a malfunction.

IZS40/41/42

IZT40/41(-L)/  
42(-L)/43(-L)

IZN10E

IZF

IZG10

ZVB

IZD10/IZE11

IZH10

Antistatic  
Equipment