

# With Pre-wired Connector Solid State Auto Switch (Made to Order Specifications)



Refer to SMC website for the details of the products conforming to the international standards.

## 1 With Pre-wired Connector

- Eliminates the harnessing work by cable with connector specifications
- Adopts global standardized connector (IEC61076-2)
- IP67 construction



## How to Order

D-**M9N**S**A**PC

Solid state auto switch  
Standard part no.

\* For the applicable auto switch model, refer to the table below.

Cable length

S	0.5 m
M	1.0 m
L	3.0 m
Z	5.0 m

Connector model

A	M8-3 pin
B	M8-4 pin
D	M12-4 pin

Note) Type A is not selectable for the auto switch with diagnostic output.

## Connector Specifications

Connector model	M8-3 pin	M8-4 pin	M12-4 pin
Pin arrangement			
Conformed standard	IEC61076-2-104		IEC61076-2-101
Impact resistance	300 m/s <sup>2</sup>		
Enclosure	Only with screw tightened IP67 (IEC60529 standard)		
Insulation resistance	100 MΩ or more at 500 VDC measured via megohmmeter		
Withstand voltage	1500 VAC 1 minute (between contacts), Leak current 1 mA or less		

## Applicable Auto Switch

For details on the D-P3DWA series magnetic field resistant auto switch, refer to page 1342. And for details on the D-P4DW series, refer to page 1344.

### 2-wire

Mounting	Function	Applicable model
Rail mounting type	—	J79, F7BV
	2-color indicator	J79W, F7BWV
	Water resistant	F7BA, F7BAV
Band mounting type	—	H7B
	—	K59
	2-color indicator	H7BW
	—	K59W
	Water resistant	H7BA
Tie-rod mounting type	—	G5BA
	—	J59
	2-color indicator	J59W
Direct mounting type	Water resistant	F5BA
	—	Y59B, Y69B
	—	M9B, M9BV
	—	F8B
	Normally closed	M9BE, M9BEV
	2-color indicator	Y7BW, Y7BWV
	—	M9BW, M9BWV
	—	Y7BA
	Water resistant	M9BA, M9BAV
	—	M7BA
Rotary actuator	Hygienic	F6B
	—	T791/2
	—	T991/2, T99V1/2

### 3-wire

Mounting	Function	Applicable model
Rail mounting type	—	F79, F7P, F7NV, F7PV
	2-color indicator	F79W, F7PW, F7NVV
	With timer	F7NT
Band mounting type	—	H7A1, H7A2
	—	G59, G5P
	2-color indicator	H7NW, H7PW
	—	G59W, G5PW
	With timer	G5NT
Tie-rod mounting type	—	F59, F5P
	2-color indicator	F59W, F5PW
	With timer	F5NT
Direct mounting type	—	Y59A, Y7P, Y69A, Y7PV
	—	M9N, M9P, M9NV, M9PV
	—	F8N, F8P
	—	Y7G, Y7H
	Normally closed	F9G, F9H
	—	M9NE, M9PE, M9NEV, M9PEV
	2-color indicator	Y7NW, Y7PW, Y7NVV, Y7PWW
	Water resistant	M9NW, M9PW, M9NVV, M9PWW
Rotary actuator	Hygienic	F6N, F6P
	—	S791/2, S7P1/2
—	S991/2, S9P1/2, S99V1/2	

### 4-wire

Mounting	Function	Applicable model
Rail mounting type	Direct mounting type	F79F
Band mounting type		H7NF
Tie-rod mounting type		G59F
—		F59F

Note) M8-3 pins are not selectable for the 4-wire auto switch.

## Connector pin arrangement

Sensor type	Meaning of contact number			
	1 pin	2 pin	3 pin	4 pin
2-wire	OUT(+)	—	—	OUT(-)
3-wire	DC(+)	—	DC(-)	OUT
4-wire	DC(+)	Diagnostic output	DC(-)	OUT

Note1) For details on the D-P3DWASC and D-P3DWASE, refer to page 1342. And for details on the D-P4DWSC and D-P4DWSE, refer to page 1344.

Note2) For details on the pin arrangement, refer to the pin arrangement in the connector specifications above.

# With Pre-wired Connector

## Dimensions



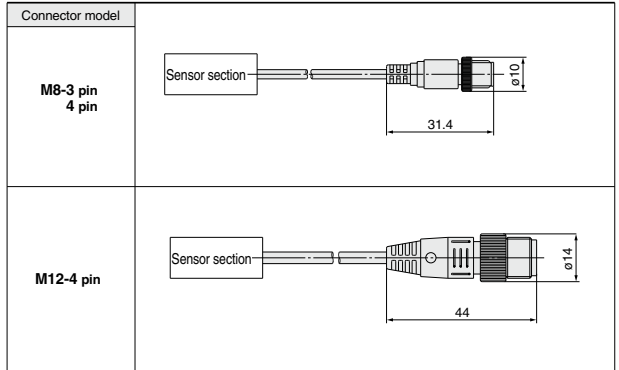
M8-3 pin



M8-4 pin



M12-4 pin



## Connection (Socket side) Connector Cable

As the parts are not supplied from SMC, refer to the application examples listed in the below.  
(For detail such as catalog availability, etc., please contact each manufacturer.)

Connector size	Number of pins	Manufacturer	Applicable series example	
M8	3	OMRON Corporation	XS3□	
		PHOENIX CONTACT GmbH & Co. KG	SAC-3P□	
		Correns Corporation	M8-3D□	
		TE Connectivity Ltd.	T40	
	4	3	Hans Turck GmbH & Co. KG	PKG3M□
			OMRON Corporation	XS3□
			PHOENIX CONTACT GmbH & Co. KG	SAC-4P□
			Correns Corporation	M8-3D□
M12	4	TE Connectivity Ltd.	T40	
		Hans Turck GmbH & Co. KG	PKG4M□	
		OMRON Corporation	XS2□, XS5□	
		PHOENIX CONTACT GmbH & Co. KG	SAC-4P□	
	4	4	Correns Corporation	VA-4D□
			TE Connectivity Ltd.	T41
			Hans Turck GmbH & Co. KG	RKC4.4□
			Azbil Corporation	PA5-4I
		DDK Ltd.	CM02B	

## Weight for Connector Type

Part no.	Connector type	Weight
D-□□□APC	M8-3 pin	4 g
D-□□□BPC	M8-4 pin	4 g
D-□□□DPC	M12-4 pin	About 11 g

# Made to Order Specifications: Solid State Auto Switch

## -50: Without Indicator Light (Dark room) Specifications

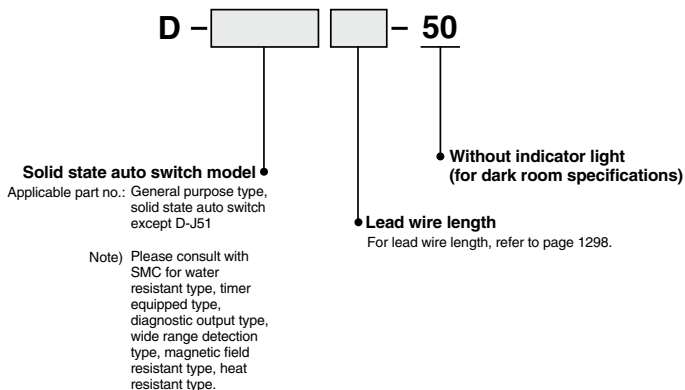
## -61: Oilproof Flexible Heavy-duty Cord Specifications

### 2 Without Indicator Light (for dark room specifications)

Symbol

-50

Possible to use under the environment which hates a light.



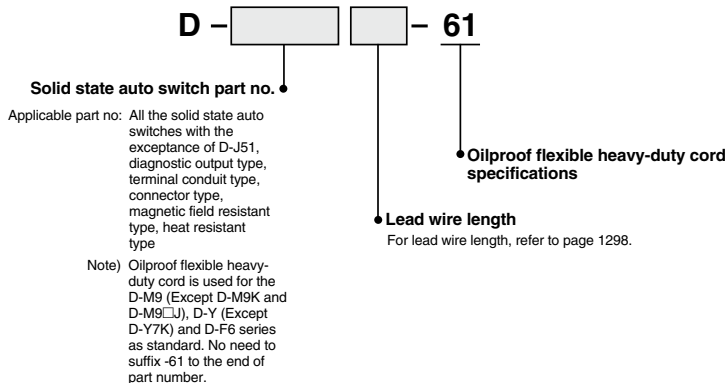
Dimensions and specifications are common as standard products with the exception of no indicator light.

### 3 Oilproof Flexible Heavy-duty Cord Specifications

Symbol

-61

This is the product which uses a heavy-duty cord having flexible characteristics 5 times (SMC comparison) as strong as oilproof heavy-duty cord used in the standard products.



Specifications are the same as standard products with the exception of lead wire specifications.

Lead wire: For D-F8 type..... ø2.7, 0.15 mm<sup>2</sup>, 3 cores (Brown, Blue, Black), 2 cores (Brown, Blue)  
 For other model nos..... ø3.4, 0.15 mm<sup>2</sup>, 3 cores (Brown, Blue, Black), 2 cores (Brown, Blue)

Dimensions are identical with D-F5 type, G5 type, J59 type, K59 type. Lead wire diameter is changed from ø4 to ø3.4. In other series products, it is common as standard product's specifications.