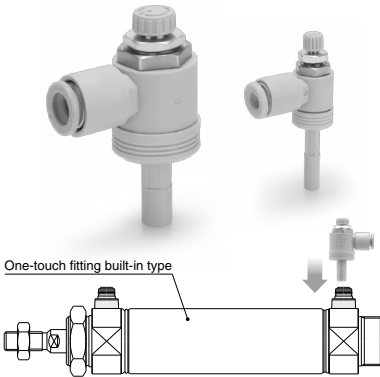


Speed Controller with One-touch Fitting Plug-in Type

AS□□□□P Series

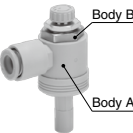
- Can be mounted directly to the One-touch fitting!
- No need for tools, reducing time required for mounting.



Warning

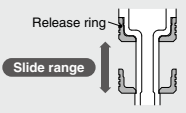
1. Do not use the body A in a continuously rotating place.

It may damage the body A or fittings.

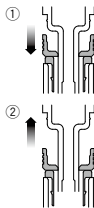


Caution Release from One-touch fitting

The release ring slides up and down and does not come off from the body A with the drop prevention function.



- Slide down the release ring, and push the release bushing to the end.
- Bring up the body, while holding it down.
- Take the finger off the release ring and remove the speed controller from the One-touch fitting.



Model

Model		Rod and applicable tubing O.D.			
Meter-out type	Meter-in type	ø4	ø6	ø8	ø10
AS1000P-04-04	AS1010P-04-04	●	—	—	—
AS2000P-04-04	AS2010P-04-04	●	—	—	—
AS2000P-06-06	AS2010P-06-06	—	●	—	—
AS2500P-06-06	AS2510P-06-06	—	●	—	—
AS3000P-08-08	AS3010P-08-08	—	—	●	—
AS3000P-10-10	AS3010P-10-10	—	—	—	●

<Visual identification between meter-out and meter-in types>

The lock nut provides identification. The lock nut of the meter-out type is zinc chromated (The round lock nut is electroless nickel plated), and the one of the meter-in type is black zinc chromated.

Specifications

Fluid	Air
Proof pressure	1.5 MPa
Max. operating pressure	1 MPa
Min. operating pressure	0.1 MPa
Ambient and fluid temperature	-5 to 60°C (No freezing)
Applicable tubing material	Nylon, Soft nylon, Polyurethane

Flow Rate and Sonic Conductance

Model		AS10□0P	AS20□0P	AS25□0P	AS30□0P		
Rod and applicable tubing O.D. (Metric size)		ø4	ø4	ø6	ø6	ø8	ø10
Controlled flow	Flow rate [L/min (ANR)]	100	130	230	290	660	920
	Sonic conductance [dm ³ /(sbar)]	0.28	0.36	0.64	0.8	1.8	2.6
Critical pressure ratio	Controlled flow	0.2	0.2	0.2	0.2		
	Free flow	0.25	0.25	0.25	0.25		

Note) Flow rate values are measured at 0.5 MPa and 20°C.

How to Order

AS 20 0 0 P - 06 - 06 - □

Body size ●

10	M5 standard
20	O1 standard
25	O2 standard
30	O3 standard

● Rod O.D.—Applicable tubing O.D.

04-04	ø4 — ø4
06-06	ø6 — ø6
08-08	ø8 — ø8
10-10	ø10 — ø10

Control type ●

0	Meter-out
1	Meter-in

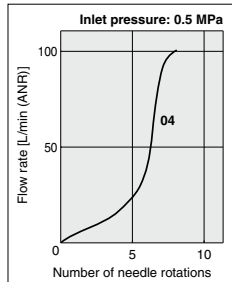
Lock nut option ●

NII	Hexagon lock nut
J	Round lock nut

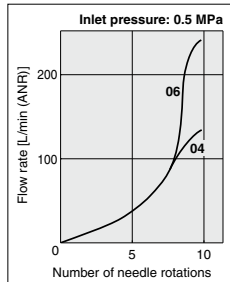
Plug-in type ●

Needle Valve/Flow Rate Characteristics

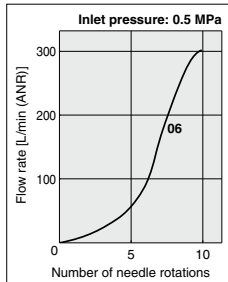
AS10□0P-04-04



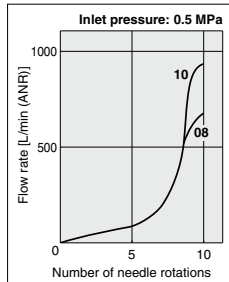
AS20□0P-□-□



AS25□0P-06-06



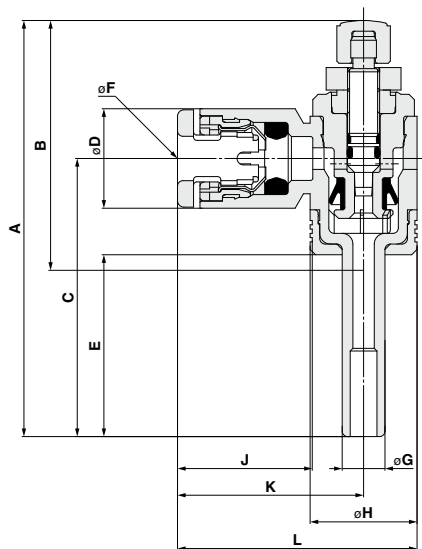
AS30□0P-□-□



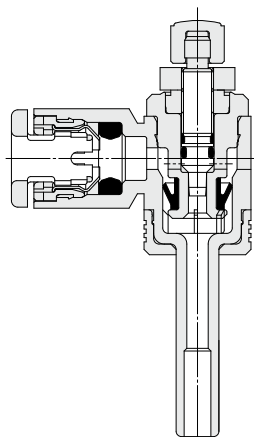
Note) The numbers above the flow rate characteristic curves in the charts show the tubing diameter as defined by the product number.

Dimensions

Meter-out type



Meter-in type



Model	A		B		C	øD	E	øF	øG	øH	J	K	L
	MIN.	MAX.	MIN.	MAX.									
AS10□0P-04-04	38.9	41.7	23.9	26.7	26	9.3	17	4	4	10	12.7	17.4	22.4
AS20□0P-04-04	46.4	51.4	31.4	36.4	30	9.3	17.1	4	4	13.6	12.7	18.9	25.7
AS20□0P-06-06	47.3	52.3	31.3	36.3	30	11.6	18	6	6	13.6	13.5	19.9	26.7
AS25□0P-06-06	49.6	54.6	33.6	38.6	32	12.8	18	6	6	17	16.8	24.1	32.6
AS30□0P-08-08	55.5	60.5	37	42	36	15.2	19	8	8	22	18.5	27	38
AS30□0P-10-10	58.5	63.5	37.5	42.5	39	18.5	22	10	10	22	21	30.5	41.5