

3 Port Solenoid Valve Direct Operated Poppet Type VT317 Series

Rubber Seal



[Option]

(Note) CE/UKCA-compliant: Electrical entry is applicable only for the DIN terminal.

Compact yet provides a large flow capacity

Dimensions (W x H x D).....45 x 89.5 x 45
(Grommet)

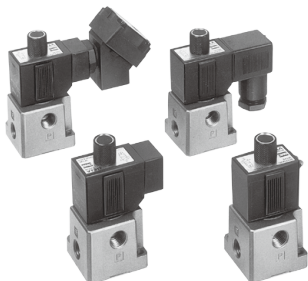
C: 2.6 dm³/(s·bar)
(Passage 2 → 3)

Suitable for use in vacuum applications

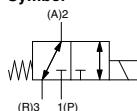
-101.2 kPa
(For vacuum specifications: VT/VO317V)

A single valve with 6 valve functions

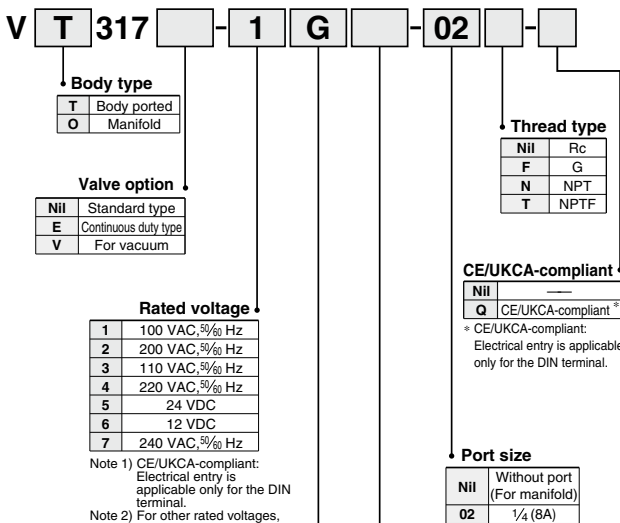
(Universal porting type)
Selective porting can provide 6 valve functions, such as N.C. valve, N.O. valve, Divider valve, Selector valve etc.



Symbol



How to Order



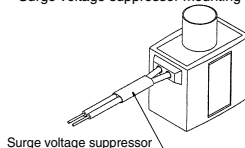
		CE/UKCA-compliant
G	Grommet, 300 mm lead wire	—
H	Grommet, 600 mm lead wire	—
C	Conduit	—
T	Conduit terminal	—
D	DIN terminal	●
DO	DIN terminal, Without connector	●

(Note) A gasket must be ordered separately for DO.
Gasket part no.: VX020-026

	CE/UKCA-compliant						
Electrical entry Symbol	G	H	C	T	D	DO	Only "D" and "DO"
Nil	●	●	●	●	●	●	●
S	●	●	●	●	●	●	●
Z	—	—	—	●	●	●	●

S: With surge voltage suppressor
Note) Refer to the figure below.
Z: With light/surge voltage suppressor

Surge voltage suppressor mounting part (For "G")



Manifold

Model	Applicable manifold type	Accessory
VO317-(Q)	Common or individual exhaust	O-ring (KA00066, 4 pcs.) (Note) Hexagon socket head screw (XT012-25C#1, 2 pcs.)

(Note) It is not applied to "Continuous duty type". Refer to the accessories on page 1254.

Standard Specifications

Type of actuation		Direct operated type 2 position single solenoid	
Fluid		Air	
Operating pressure range		0 to 0.9 MPa	
Ambient and fluid temperature		-10 to 50°C (No freezing.)	
Response time ⁽¹⁾		30 ms or less (at the pressure of 0.5 MPa)	
Max. operating frequency		10 Hz	
Lubrication		Not required (Use turbine oil Class 1 ISO VG32, if lubricated.)	
Manual override		Non-locking push type	
Mounting orientation		Unrestricted	
Impact/Vibration resistance ⁽²⁾		150/50 m/s ²	
Enclosure		Dustproof	
Electrical entry		Grommet, Conduit, Conduit terminal, DIN terminal	
Coil rated voltage (V)	AC (50/60 Hz)	100, 200, 110 [*] , 220 [*] , 240 [*]	
	DC	24, 12 [*]	
Allowable voltage fluctuation		-15 to +10% of rated voltage	
Apparent power ⁽³⁾	AC	Inrush	19 VA (50 Hz), 16 VA (60 Hz)
		Holding	11 VA (50 Hz), 7 VA (60 Hz)
Power consumption ⁽³⁾		DC	Without indicator light: 6 W. With indicator light: 6.3 W
Light/Surge voltage suppressor (Not applicable for grommet type)	AC	Varistor, Neon bulb	
	DC	Varistor, LED (Neon bulb for 100 V or more)	

^{*} Semi-standard

Note 1) Based on dynamic performance test, JIS B 8419: 2010. (Coil temperature: 20°C, at rated voltage, without surge suppressor)

Note 2) Impact resistance: No malfunction occurred when it is tested with a drop tester in the axial direction and at the right angles to the main valve and armature in both energized and de-energized states every once for each condition. (Values at the initial period)

Vibration resistance: No malfunction occurred in a one-sweep test between 45 and 1000 Hz. Test was performed at both energized and de-energized states in the axial direction and at the right angles to the main valve and armature. (Values at the initial period)

Note 3) At rated voltage

Flow Rate Characteristics/Weight

Valve model	Flow rate characteristics												Weight
	1 → 2 (P → A)			2 → 3 (A → R)			3 → 2 (R → A)			2 → 1 (A → P)			
	C [dm ³ /(s·bar)]	b	Cv	C [dm ³ /(s·bar)]	b	Cv	C [dm ³ /(s·bar)]	b	Cv	C [dm ³ /(s·bar)]	b	Cv	
VT317													
VT317V (Vacuum spec. type)	2.4	0.26	0.62	2.6	0.34	0.67	2.8	0.25	0.67	2.5	0.37	0.66	0.29kg
VT317E (Continuous duty type)													

Note) Values for a single valve unit. It differs in the manifold case. Refer to manifold specifications on page 1254.

Valve Options

Continuous duty type: VT317E

Exclusive use of VT317E is recommended for continuous duty with long time loading.

⚠ Caution

1. This model is for continuous duty, not for high cycle rates. But even in low cycle rates, if energizing the valve more than once a day, please consult with SMC.
2. Energizing solenoid should be done at least once in 30 days.

Vacuum spec. type: VT317V

This vacuum model has less air leakage than the standard model under low pressure. It is recommended for vacuum application.

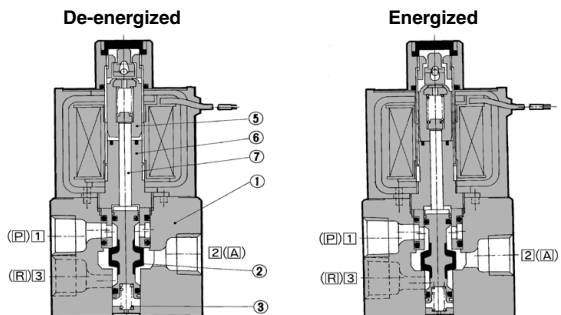
⚠ Caution

1. Since this valve has slight air leakage, it can not be used for vacuum holding (including positive pressure holding) in the pressure container.

Specifications different from standard are as follows.

Operating pressure range | -101.2 kPa to 0.1 MPa

Construction



Operation principles

<De-energized>

Spool valve (2) is pushed upward by the return spring (3), port P (1) is closed, and port A (2) and port R (3) are opened.

<Energized>

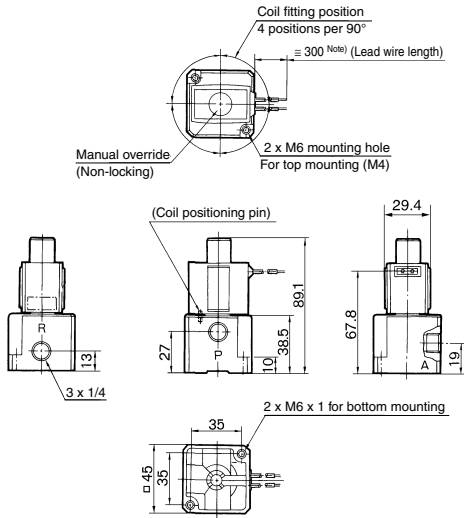
When an electric current is applied to the molded coil (4), the armature (5) is attracted to the core (6), and through the push rod (7), it pushes down the spool valve (2). Then, port P (1) and port A (2) are connected. At this time, there will be gaps between the armature (5) and the core (6), but the armature will be magnetically attracted to the core (6).

Component Parts

No.	Description	Material	Note
1	Body	Aluminum die-casted	Color: Platinum silver
2	Spool valve	Aluminum, NBR	

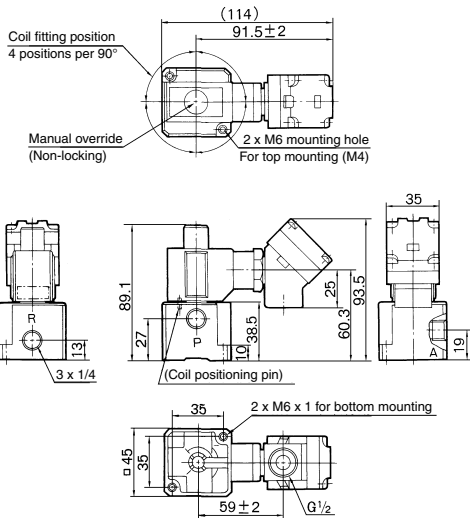
Dimensions

Grommet: VT317-□G

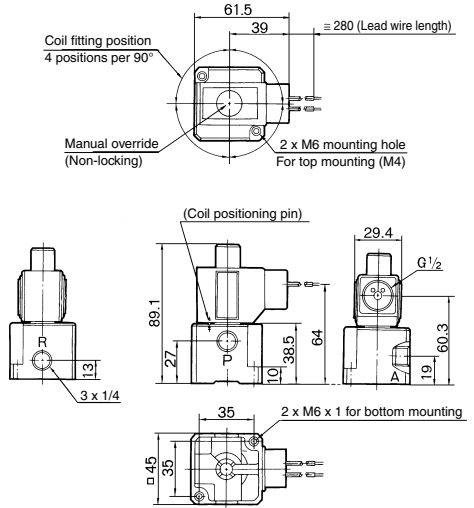


Note) There is also "VT317-□H" (Lead wire length: 600 mm).

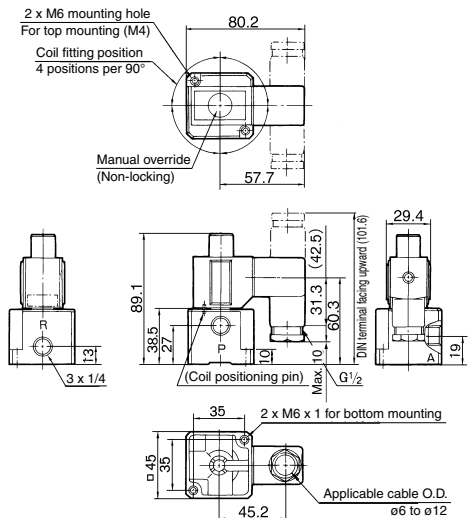
Conduit terminal: VT317-□T



Conduit: VT317-□C



DIN terminal: VT317-□D

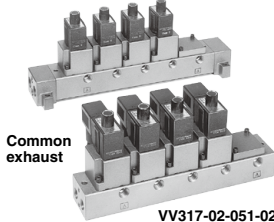


VT317 Series

Manifold Specifications

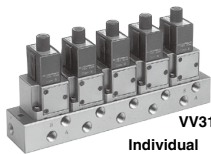
VT317 manifold is B mount type and available both as a common exhaust and individual exhaust model.

VV317-02-051-02-A



Common exhaust

VV317-02-051-02



VV317-02-053-02

Individual exhaust

How to Order Manifold

VV317 - 02 - 05 1 - 02 □ - A - □

Base type:
1/4

Valve stations

02	2 stations
5	5 stations
20	20 stations

Max. 20 stations

VT317 manifold

* Please indicate manifold base type, applicable manifold valve and blanking plate when ordering.

Ordering example:
 VV317-02-051-02-A..... 1 pc.
 (5-station manifold base)
 *VO317-1G..... 4 pcs.
 *PVT317-53-1A..... 1 pc.
 (Blanking plate)

The asterisk denotes the symbol for assembly. Prefix it to the part nos. of the solenoid valve, etc.

CE/UKCA-compliant

Nil	—
Q	CE/UKCA-compliant

Option

Nil	Without mounting bracket
A	With mounting bracket*

* Common exhaust type only

Thread type

Nil	Rc
F	G
N	NPT
T	NPTF

A port size (Base piping) 1/4

Symbol

Symbol	Passage		Porting specifications
	P	R	A
1	Common	Common	Side
3	Common	Individual	Side

Manifold Specifications

Manifold type		B mount		
Max. number of stations		20 stations ⁽¹⁾		
Applicable solenoid valve		VO317□-□□□(-Q) ⁽³⁾		
Exhaust port		Port location (Direction)/Port size		
Symbol	Type	P	A	R
1	Common ⁽²⁾	Base (Side)	Base (Side)	Base (Side)
		1/4 (3/8)	1/4	1/4 (3/8)
3	Individual	Base (Side)	Base (Side)	Base (Side)
		1/4	1/4	1/4

Note 1) For more than 3 stations, supply air both sides of P port. The common exhaust type should exhaust from both of the R port.

Note 2) In the case of common exhaust type, R and P ports size can be Rc 3/8 by using a mounting adaptor.

Note 3) Can also be applied to VVT320 series manifold.

Accessory for Applicable Solenoid

Description	Part no.	Qty	Note
O-ring	KA00066 (P10)	4	Standard type vacuum specifications type
	KA00098 (P10F)		
Hexagon socket head screw	XT012-25C#1(M4x0.7x20)	2	Continuous duty type

Option

Description	Part no.
Blanking plate (With screw, O-ring)	PVT317-53-1A
Mounting bracket assembly (With screw)	DXT010-37-4□A (For common exhaust)

□: Thread type (Refer to "How to Order").

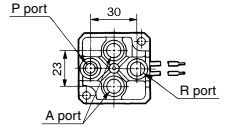
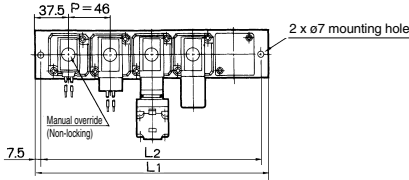
Flow Rate Characteristics/Weight

Valve model	Flow rate characteristics												Weight
	1 → 2 (P → A)			2 → 3 (A → R)			3 → 2 (R → A)			2 → 1 (A → P)			
	C [dm ³ /(s·bar)]	b	Cv	C [dm ³ /(s·bar)]	b	Cv	C [dm ³ /(s·bar)]	b	Cv	C [dm ³ /(s·bar)]	b	Cv	
VO317													
VO317V (Vacuum spec. type)	2.0	0.11	0.47	2.2	0.12	0.49	2.0	0.14	0.45	2.1	0.14	0.48	0.32kg
VO317E (Continuous duty type)													

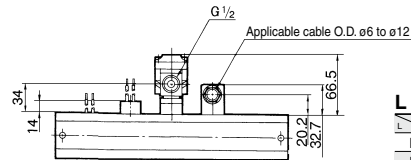
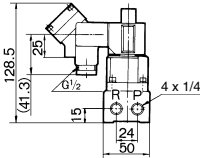
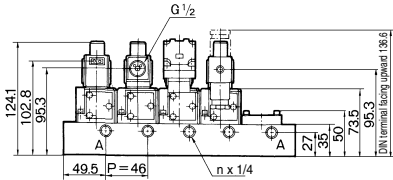
Dimensions: Common Exhaust (Interchangeable with VVT320 for mounting)

Without mounting bracket: VV317-02-□1-02

A single valve unit port location



(Station 1) (Station n)

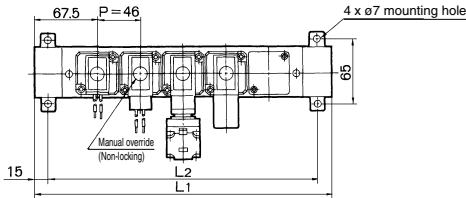


L Dimension

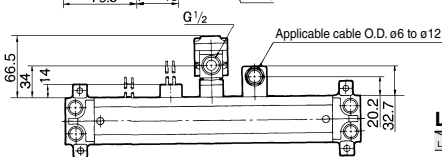
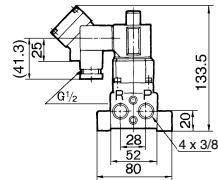
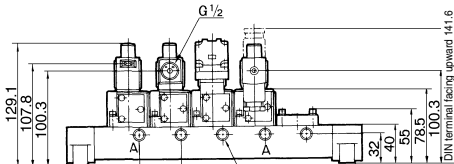
n: Stations

Station	2	3	4	5	6	7	8	9	10	Formula
L ₁	121	167	213	259	305	351	397	443	489	L ₁ = 46 x n + 29
L ₂	106	152	198	244	290	336	382	428	474	L ₂ = 46 x n + 14

With mounting adaptor: VV317-02-□1-02-A



(Station 1) (Station n)



L Dimension

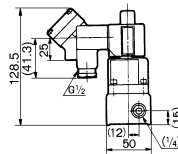
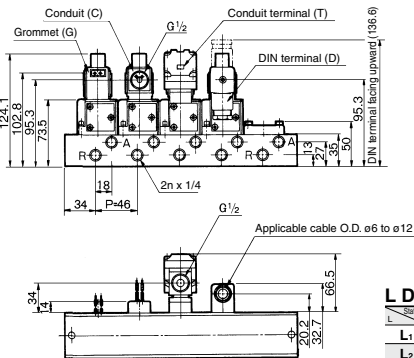
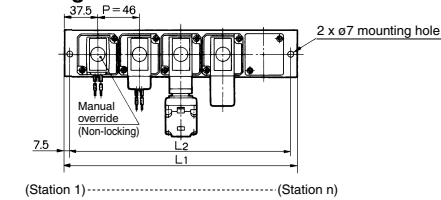
n: Stations

Station	2	3	4	5	6	7	8	9	10	Formula
L ₁	181	227	273	319	365	411	457	503	549	L ₁ = 46 x n + 89
L ₂	151	197	243	289	335	381	427	473	519	L ₂ = 46 x n + 59

VT317 Series

Dimensions: Individual Exhaust

Without mounting bracket/VV317-02-□3-02



L Dimension										n: Stations
Station	2	3	4	5	6	7	8	9	10	Formula
L1	121	167	213	259	305	351	397	443	489	L1 = 46 x n + 29
L2	106	152	198	244	290	336	382	428	474	L2 = 46 x n + 14

⚠ Precautions

Be sure to read this before handling the products. Refer to page 8 for safety instructions and pages 9 to 15 for 3/4" port solenoid valve precautions.

Mounting

⚠ Warning

- When mounting valves on the manifold base, the mounting orientation is decided. If it is mounted in the wrong direction, connected equipment may malfunction. Mount it by referring to how to switch over from N.C. to N.O. specifications.

⚠ Caution

- Each valve is fixed to the manifold base with two M4 mounting screws. Tighten the screws evenly when re-mounting. Tightening torque of the mounting screw (M4): 1.4 N·m
- For mounting, tighten M4 or equivalent screws evenly into the mounting holes of the manifold base.

Changing from N.C. to N.O.

⚠ Caution

Universal porting permits convertibility N.C./N.O. by a simple 180 degree rotation. Mounting conditions for N.C. and N.O. is indicated as below figure.

Exhaust port type \ Valve	N.C.	N.O.
Common exhaust		
Individual exhaust		

* Changing from N.C. to N.O.

This product is delivered as N.C. valve. If N.O. valve is needed, remove mounting screws of the required valve and turn the valve at 180° degrees. (Make sure that there are O-rings fixed on 4 positions of the valve surface.) Then, tighten the mounting screws to fix the valve to the manifold base.

How to Use DIN Terminal

1. Disassembly

- 1) After loosening the screw ①, then if the housing ④ is pulled in the direction of the screw ①, the connector will be removed from the body of equipment (solenoid, etc.).
- 2) Pull out the screw ①, then remove the gasket ②.
- 3) On the bottom part of the terminal block ③, there's a cut-off part (indication of an arrow) ⑧. If a small flat head screwdriver is inserted between the opening in the bottom, terminal block ③ will be removed from the housing ④. (Refer to graph at right.)
- 4) Remove the cable gland ⑤ and plain washer ⑥ and rubber seal ⑦.

2. Wiring

- 1) Pass the cable ⑧ through the cable gland ⑤, washer ⑥, rubber seal ⑦, in this order and then insert them into the housing ④.
- 2) Dimensions of the cable ⑧ are as shown in the right figure. Skin the cable and crimp the crimped terminal ⑨ to the edges.
- 3) Remove the screw with washer ⑩ from the bracket ⑪. (Loosen in the case of Y-shape type terminal.) As shown in the right figure, mount a crimped terminal ⑨, and then again tighten the screw ⑩. (Note) Tighten within the tightening torque of 0.5 N·m ±15%.

Note: a It is possible to wire even in the state of bare wire. In that case,

loosen the screw with washer ⑩ and place a lead wire into the bracket ⑪, and then tighten it once again.

- a The maximum size for the round terminal ⑨ is 1.25 mm²—3.5 and for the Y terminal is 1.25 mm²—4.
- b Cable ⑧ outside diameter: $\phi 6$ to $\phi 12$ mm

Note) For the one with outside diameter ranged between $\phi 9$ to $\phi 12$ remove the inside parts of the rubber seal ⑦ before using.

3. Assembly

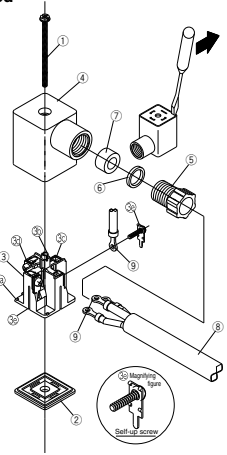
- 1) Terminal box ③ connected with housing ④ should be reinstated. (Push it down until you hear the click sound.)
- 2) Putting rubber seal ⑦, plain washer ⑥, in this order into the cable introducing slit on the housing ④, then further tighten the cable gland ⑤ securely.
- 3) By inserting gasket ② between the bottom part of the terminal box ③ and a plug on an equipment, screw in ① on top of the housing ④ and tighten it.

Note) Tighten within the tightening torque of 0.5 N·m ±20%.

Changing the entry direction

The cable entry direction of a connector can be changed as desired (4 directions at 90° intervals), depending on the combination of a housing ④ and a terminal block ③.

Exploded view



Comparison between the Product Model No. and the Coil Part No.

Product model no.	Coil no.	Coil assembly with terminal part no.
VT/O317□→G(-02)	PVT317-001GB-0*	—
VT/O317□→GS(-02)	PVT317→G	—
VT/O317□→H(-02)	PVT317-001GB-0*L06	—
VT/O317□→HS(-02)	PVT317→G-06	—
VT/O317□→C(-02)	PVT317-001CB-0*	—
VT/O317□→CS(-02)	PVT317→C	—
VT/O317□→T(-02)	—	PVT317-001TBT-0*
VT/O317□→TS(-02)	—	PVT317-001TBTS-0*
VT/O317□→TZ(-02)	—	PVT317-001TBTZ-0*
VT/O317□→D(-02)	PVT317-001DB-0*	PVT317-001DBT-0*
VT/O317□→DS(-02)	PVT317-001DB-0*	PVT317-001DBTS-0*
VT/O317□→DZ(-02)	PVT317-001DB-0*	PVT317-001DBTZ-0*

Note 1) * mark in the product model numbers denotes the rated voltage.

Note 2) □ mark denotes the valve option.

Note 3) * mark and 0* mark are for coil part number and coil assembly with terminal rated voltage.

Example 1) In the case of 0* PVT317-001GB-05

Example 2) In the case of * PVT317-5G

Note 4) In the case of CE/UKCA-compliant products (-Q), coils are not shipped together.

⚠ Caution

When the rated voltage is AC and if it is assembled with the coil for DC, response may be delayed and occur malfunction. Also, for DC valves, when the coil for AC is assembled, it occurs malfunction. For AC valves, assemble the coil for AC, and for DC valves, assemble the coil for DC.

Connector for DIN Terminal

Rated voltage	Without light/surge voltage suppressor (D)	With surge voltage suppressor (DS)	Light/Surge voltage suppressor (DZ)
100 VAC	GDM2A	GDM2A-S1	GDM2A-Z1
200 VAC		GDM2A-S2	GDM2A-Z2
24 VDC		GDM2A-S5	GDM2A-Z5

For other rated voltages, please consult with SMC.

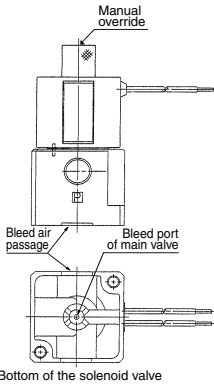


VT317 Series Specific Product Precautions

Be sure to read this before handling the products. Refer to page 8 for safety instructions and pages 9 to 15 for 3/4/5 port solenoid valve precautions.

⚠ Caution

1. A bleed port for the main valve is located at the bottom of the solenoid valve. Since blocking it causes malfunction, do not block it.
* Ordinarily, when the solenoid valve is mounted on a metal surface, it can breathe through the breather hole, via the breather groove. However, in particular, if the surface to be mounted is made of the rubber, the rubber could deform and block the hole.
2. Make sure that dust and/or other foreign materials should not enter the valve from the unused port (e.g. exhaust port). Also, since there is a bleed port for the armature in the manual override, do not allow accumulation of dust and/or other foreign materials to block bleed port.



How to Calculate the Flow Rate

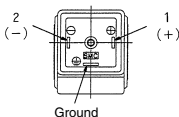
For obtaining the flow rate, refer to the **Web Catalog**.

Lead Wire Color (Grommet)

Voltage	Color
100 VAC	Blue
200 VAC	Red
DC	Red (+), Black (-)
Other	Gray

Electrical Connection

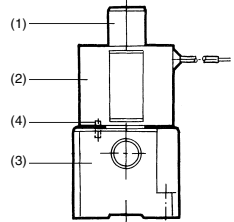
DIN terminal is connected inside as in the figure below. Connect to the corresponding power supply.



⚠ Caution

Change of Electrical Entry Angle

1. The VT317 series can change electrical entry angle. (4 positions)
2. How to change: Loosen the nut (1), remove the coil (2) from the body assembly (3), place the positioning pin (4) at the required place, put back the coil (2) to its place, and tighten sufficiently with lock nut (1).



⚠ Caution

Lock Nut

If the lock nut comes off due to insufficient tightening, vibration, etc., the position of the coil may deviate, causing it to burn out. To prevent such occurrences, periodically check whether the lock nut has loosened.

Light/Surge Voltage Suppressor

		Grommet (G) Conduit (C)	Conduit terminal (T) DIN terminal (D)
Surge voltage suppressor (S)	AC		
	DC Red (+) (-) Black		
Light/Surge voltage suppressor (Z)	AC	None	
	DC		

Protection circuit for light/surge voltage suppressor is not the polarity type.

3 Port Solenoid Valve Direct Operated Poppet Type VT325 Series Rubber Seal



Note) CE/UKCA-compliant: Electrical entry is applicable only for the DIN terminal.

Compact yet provides a large flow capacity

Dimensions (W x H x D)....55 x 118 x 53 (Grommet)

C: 0.61 dm³/(s·bar)
{Rc 3/8 (Passage 2 → 3)}

A single valve with 6 valve functions

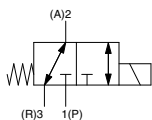
(Universal porting type)
Six valve functions can be attained by selecting the piping ports. (Enabling the N.C. valve, N.O. valve, divider valve, selector valve, etc. to be used as desired.)

Suitable for use in vacuum applications

-101.2 kPa
(For vacuum specifications type: VT/O325V)



Symbol



How to Order

VT325 □ - **02** **1** **G** □ - □ - □ - □

For manifold:
Enter "VO".
Valve option

NH	Standard
V	For vacuum

Port size

02	1/4
03	3/8
00	Without connection port (For manifold)

Rated voltage

1	100 VAC, 50/60 Hz
2	200 VAC, 50/60 Hz
3	110 VAC, 50/60 Hz
4	220 VAC, 50/60 Hz
5	24 VDC
6	12 VDC
7	240 VAC, 50/60 Hz

Note1) CE/UKCA-compliant: Electrical entry is applicable only for the DIN terminal.
Note2) For other rated voltages, please consult with SMC.

Manual override

NH	Non-locking type
M	Locking type (Tool required)

Thread type

NH	Rc
F	G
N	NPT
T	NPTF

Surge voltage suppressor (CE/UKCA-compliant)

NH	None
S	With surge voltage suppressor

(AC: Can be attached to Grommet, Conduit, Conduit terminal.
DC: Can be attached to Grommet, Conduit, Conduit terminal.)

CE/UKCA-compliant

NH	—
Q	CE/UKCA-compliant

* CE/UKCA-compliant: Electrical entry is applicable only for the DIN terminal.

Electrical entry (CE-compliant)

G	Grommet, Lead wire length 200 mm	—
C	Conduit	—
D	DIN terminal	●
DO	DIN terminal, Without connector	●
T	Conduit terminal	—
TL**	Terminal with indicator light	—
DL**	DIN terminal with indicator light	●
DOL	DIN terminal with indicator light, Without connector	●

** For the coil rated voltage (Semi-Standard*), please contact SMC.
Note) A gasket must be ordered separately for DO and DOL.
Gasket part no.: DXT087-27-2

Manifold

Model	Applicable manifold	Accessory
VO325-00□□(-Q)	B mount common exhaust type	Gasket (DXT083-13-1) Bolts (DXT083-19-1, 2 pcs.)

Specifications

Type of actuation	Direct operated type 2 position single solenoid
Fluid	Air
Operating pressure range	0 to 1.0 MPa
Ambient and fluid temperature	5 to 50°C
Max. operating frequency	5 Hz
Response time ⁽¹⁾	30 ms or less (at the pressure of 0.5 MPa)
Lubrication	Not required (Use turbine oil Class 1 ISO VG32, if lubricated.)
Manual override	Non-locking push type
Impact/Vibration resistance ⁽²⁾	150/50 m/s ²
Enclosure	Dustproof

Note 1) Based on dynamic performance test, JIS B 8419: 2010. (Coil temperature: 20°C, at rated voltage, without surge suppressor)

Note 2) Impact resistance: No malfunction occurred when it is tested with a drop tester in the axial direction and at the right angles to the main valve and armature in both energized and de-energized states every once for each condition. (Values at the initial period)

Vibration resistance: No malfunction occurred in a one-sweep test between 45 and 1000 Hz. Test was performed at both energized and de-energized states in the axial direction and at the right angles to the main valve and armature. (Values at the initial period)

Solenoid Specifications

Electrical entry	Grommet, Conduit, DIN terminal, Conduit terminal		
Coil rated voltage	100, 200 VAC, 50/60 Hz, 24 VDC		
Allowable voltage fluctuation	-15 to +10% of rated voltage		
Apparent power ⁽³⁾	AC	Inrush	50 Hz: 75 VA 60 Hz: 60 VA
		Holding	50 Hz: 27 VA 60 Hz: 17 VA
			DC
		Power consumption ⁽³⁾	DC

Note 3) At rated voltage

VT325 Series

Flow Rate Characteristics/Weight

Valve model	Port size	Flow rate characteristics												Weight
		1 → 2 (P → A)			2 → 3 (A → R)			3 → 2 (R → A)			2 → 1 (A → P)			
		C [dm ³ /(s·bar)]	b	Cv	C [dm ³ /(s·bar)]	b	Cv	C [dm ³ /(s·bar)]	b	Cv	C [dm ³ /(s·bar)]	b	Cv	
VT325	1/4	5.5	0.37	1.4	5.9	0.35	1.5	5.5	0.33	1.4	5.7	0.32	1.4	Grommet 0.55 kg (For AC) 0.60 kg (For DC)
VT325V (Vacuum spec. type)		5.5	0.37	1.4	5.9	0.35	1.5	5.5	0.33	1.4	5.7	0.32	1.4	
VT325	3/8	5.5	0.37	1.4	6.1	0.37	1.6	5.7	0.34	1.4	6.6	0.25	1.5	
VT325V (Vacuum spec. type)		5.5	0.37	1.4	6.1	0.37	1.6	5.7	0.34	1.4	6.6	0.25	1.5	

Note) Values for a single valve unit. It differs in the manifold case. Refer to manifold specifications on page 1262.

Valve Option

1. For vacuum

Pressure range	-101.2 kPa to 0.1 MPa
----------------	-----------------------

This vacuum model has less air leakage than the standard model under low pressure. It is recommended for vacuum application.

⚠ Caution

- 1) Since this valve has slight air leakage, it can not be used for holding vacuum (including positive pressure holding) in the pressure container.
- 2) With surge voltage suppressor, with indicator light

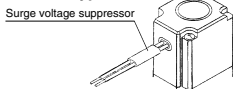
Surge Voltage Suppressor

	AC	DC
Grommet (GS)		
Conduit (CS)		
Conduit terminal (TS)		

Circuit for Indicator Light

	AC	DC
DIN terminal with indicator light (DL)		
Conduit terminal with indicator light (TL)		

· Grommet type

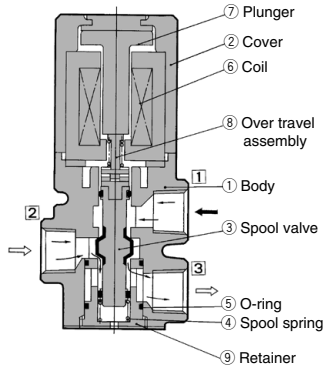


3. Manual override with lock

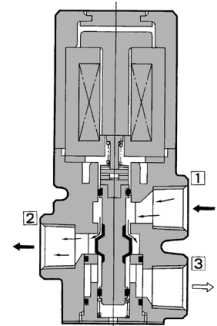
- 1) Using a screwdriver, push the manual override button that is located in the head portion of the solenoid valve in order to directly push the spool valve downward, thus causing the valve to switch.
- 2) With the button remaining pushed down, turn it approximately 90° clockwise or counterclockwise to maintain the manual override locked state.
- 3) To revert to the original state, keep the button pushed down and turn it approximately 90° clockwise.

Construction

De-energized



Energized



Operation principle

<De-energized>

The spool (3) is pushed upward by the force of the spring (4) and the air passage between port (2) and port (3) is opened and port (1) is blocked.
Air flow direction: 1 ↔ Block, 2 ↔ 3

<Energized>

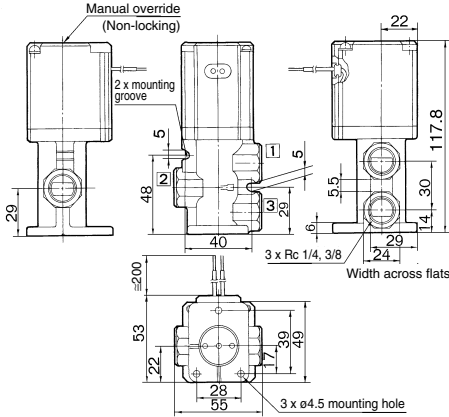
When the coil (6) is energized the plunger (7) is pulled down depressing the spool (3) via the overtravel assembly (8) and the air passage between port (1) and port (2) is opened and port (3) is blocked.
Air flow direction: 1 ↔ 2, 3 ↔ Block

Component Parts

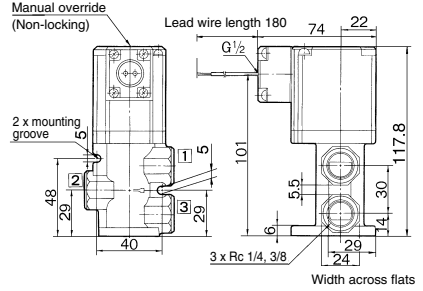
No.	Description	Material	Note
1	Body	Aluminum die-casted	Platinum silver
2	Cover	Aluminum die-casted	Platinum silver
3	Spool valve	Aluminum, NBR	

Dimensions

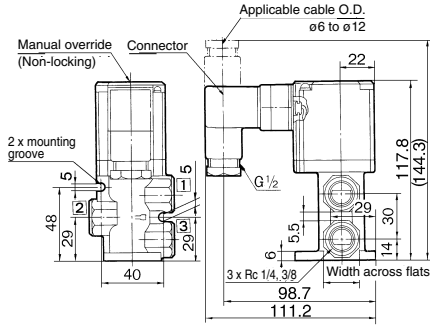
Grommet (G)



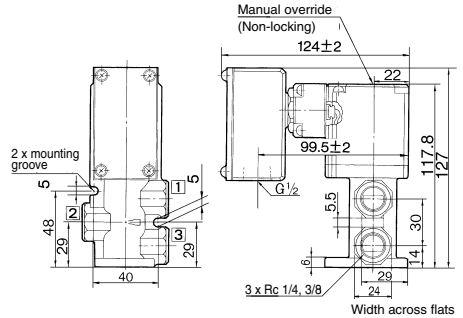
Conduit (C)



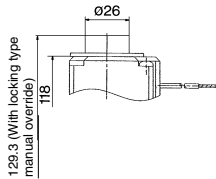
DIN terminal (D)



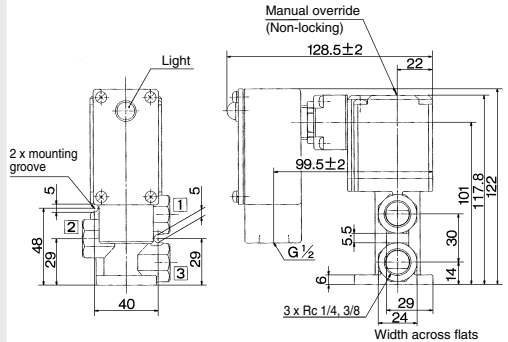
Conduit terminal (T)



With locking manual override



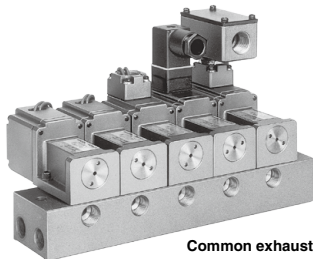
Conduit terminal with indicator light (TL)



VT325 Series

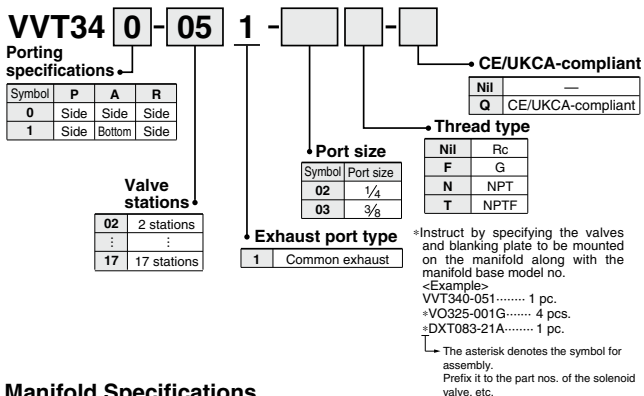
Manifold Specifications

The VT325 series Manifold Model has a B mount type with common exhaust.



Common exhaust

How to Order Manifold



Manifold Specifications

Manifold type	B mount					
Max. number of stations	17 stations ^(Note)					
Applicable solenoid valve	VO325-00□□(-Q)					
Exhaust port type	Port location/Port size			Port direction		
	P	A	R	P	A	R
Common	Base	Base	Base	Side	Side/Bottom	Side
	1/4, 3/8	1/4, 3/8	1/4, 3/8			
Option	Blanking plate (With gasket, screw)				DXT083-21A	

(Note) If there are more than 4 stations, supply air from both P ports and exhaust from both R ports.

Accessory for Applicable

Description	Part no.	Qty.
Manifold gasket	DXT083-13-1	1 pc.
Hexagon socket head screw	DXT083-19-1	2 pcs.

Flow Rate Characteristics/Weight

Valve model	Flow rate characteristics												Weight
	1 → 2 (P → A)			2 → 3 (A → R)			3 → 2 (R → A)			2 → 1 (A → P)			
	C [dm ³ /(s·bar)]	b	Cv	C [dm ³ /(s·bar)]	b	Cv	C [dm ³ /(s·bar)]	b	Cv	C [dm ³ /(s·bar)]	b	Cv	
VO325	4.1	0.24	1.0	4.4	0.18	1.0	4.5	0.15	1.0	4.3	0.23	1.0	0.58 kg
(For AC)													
VO325V (Vacuum spec. type)													0.63 kg
													(For DC)

⚠ Precautions

⚠ Warning

When mounting valves on the manifold base, the mounting orientation is decided. If it is mounted in the wrong direction, connected equipment may malfunction. Mount it by referring to external dimensions on page 1263. Besides, the external dimensions are showing the case of N.C. specifications.

⚠ Caution

Changing from N.C. to N.O.

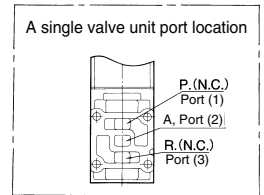
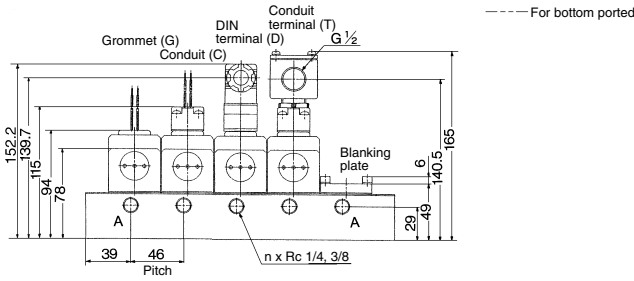
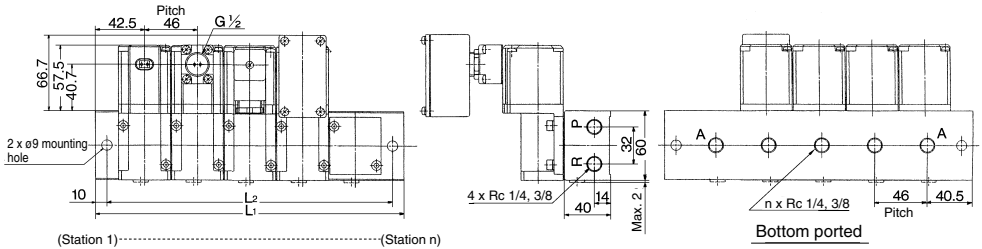
The valves are assembled as N.C. valves at the time of shipment.

By removing the two retaining screws from the desired valves, and rotating each valve body 180° and reassembling it on the manifold base, it is possible to reassemble an N.C. valve as an N.O. valve. (When doing so, make sure that a gasket is attached to the mounting surface of the valve.) Properly tighten the screws.

The tightening torque of the retaining screws is 3 N·m.

Dimensions

Common exhaust



n: Stations

Symbol	n	2	3	4	5	6	7	8	9	10
L1		131	177	223	269	315	361	407	453	499
L2		111	157	203	249	295	341	387	433	479

Formula: L1 = 46n + 39, L2 = 46n + 19

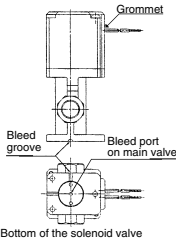


VT325 Series Specific Product Precautions

Be sure to read this before handling the products. Refer to page 8 for safety instructions and pages 9 to 15 for 3/4/5 port solenoid valve precautions.

⚠ Caution

- The bottom of the solenoid valve has a breather hole for the main valve. Take proper measures to prevent this hole from being blocked as this will lead to a malfunction.
 - Ordinarily, when the solenoid valve is mounted on a metal surface, it can breathe through the breather hole, via the breather groove. However, in particular, if the surface to be mounted is made of the rubber, the rubber could deform and block the hole.



- Make sure that dust and/or other foreign materials do not enter the valve from the unused port (e.g. exhaust port).
The grommet portion contains a breather hole for the core. Take proper measures to prevent dust or foreign matter from accumulating in this area.

How to Calculate the Flow Rate

For obtaining the flow rate, refer to the [Web Catalog](#).

How to Use DIN Terminal

1. Disassembly

- After loosening the screw ①, then if the housing ④ is pulled in the direction of the screw ①, the connector will be removed from the body of equipment (solenoid, etc.).
- Pull the screw ①, and then remove gasket ②a or ②b.
- On the bottom part of the terminal block ③, there's a cut-off part (indication of an arrow) ③a. If a small flat head screwdriver is inserted between the opening in the bottom, terminal block ③ will be removed from the housing ④.
(Refer to the figure below.)
- Remove the cable gland ⑤ and plain washer ⑥ and rubber seal ⑦.

2. Wiring

- Pass the cable ⑧ through the cable gland ⑤, washer ⑥, rubber seal ⑦ in this order, and then insert them into the housing ④.
- Dimensions of the cable ⑧ are the figure as below. Skin the cable and crimp the crimped terminal ⑨ to the edges.
- Remove the screw with washer ③e from the bracket ③c. (Loosen in the case of Y shape type terminal.) As shown in the below figure, mount a crimped terminal ⑨, and then again tighten the screw ③e.

Note) Tighten within the tightening torque of 0.5 N·m \pm 15%.

Note: a It is possible to wire even in the state of bare wire. In that case, loosen the screw with washer ③e and place a lead wire into the bracket ③d, and then tighten it once again.

- The maximum size for the round terminal ⑨ is 1.25 mm²—3.5 and for the Y terminal is 1.25 mm²—4.
- Cable ⑧ outside diameter: ϕ 6 to ϕ 12 mm

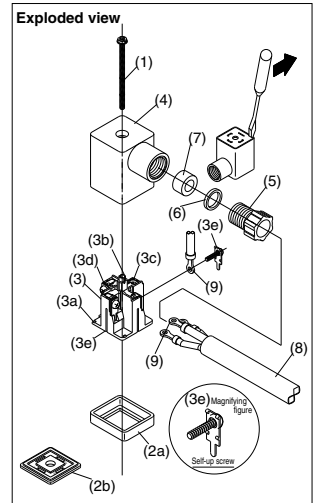
Note) For the one with the outside diameter ranged between ϕ 9 to ϕ 12 remove the inside parts of the rubber seal ⑦ before using.

3. Assembly

- Terminal box ③ connected with housing ④ should be reinstated. (Push it down until you hear the click sound.)
- Putting rubber seal ⑦, plain washer ⑥, in this order into the cable introducing slit on the housing ④, then further tighten the cable gland ⑤ securely.
- By inserting gasket ②a or ②b between the bottom part of the terminal box ③ and a plug on an equipment, screw in ① on top of the housing ④ and tighten it.

Note) Tighten within the tightening torque of 0.5 N·m \pm 20%.

Note: The orientation of a connector can be changed arbitrarily, depending on the combination of a housing ④ and a terminal box ③.



Connector for DIN Terminal

Description	Part no.
DIN connector	GDM2C