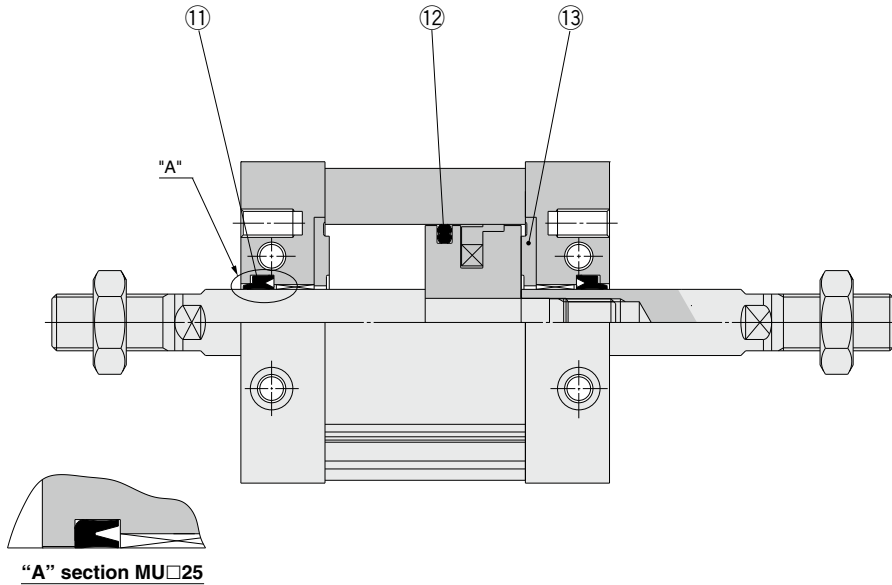


# MUW Series

ø25, ø32, ø40, ø50, ø63

## Construction



\* The numbers correspond with those in the "Construction" of the MU series in the **Web Catalog**.

### Seal Kit List

No.	Description	Material	Note
①	Rod seal	NBR	
⑫	Piston seal		
⑬	Bumper		

### Replacement Parts: Seal Kit

Bore size (mm)	Part no.	Contents
25	MUW25-PS	Set of nos. ①, ⑫, ⑬
32	MUW32-PS	
40	MUW40-PS	
50	MUW50-PS	
63	MUW63-PS	

\* The seal kit includes ① to ⑬. Order the seal kit based on each bore size.

\* Since the seal kit does not include a grease pack, it should be ordered separately.

**Grease pack part no.:** GR-S-010 (10 g)