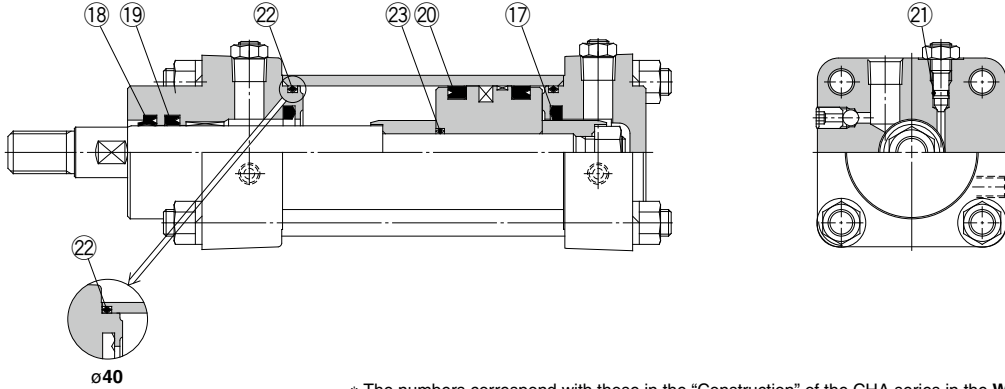


Tie-rod Type Hydraulic Cylinder/Double Acting, Single Rod

CHA Series

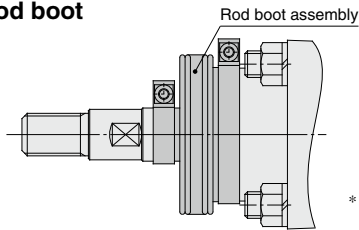
ø40, ø50, ø63, ø80
ø100, ø125, ø160

Construction



* The numbers correspond with those in the "Construction" of the CHA series in the **Web Catalog**.

With rod boot



* Replaceable with the rod boot assembly
For details on replacement part numbers, refer to page 255.

Seal Kit List

No.	Description	Material	Note
17	Cushion seal	—	23 is a non-replaceable part, so it is not included in the seal kit.
18	Wiper ring	NBR	
19	Rod seal	NBR	
20	Piston seal	NBR	
21	Needle valve seal	NBR	
22	Cylinder tube gasket	NBR	
23	Piston gasket	NBR	

Replacement Parts: Seal Kit

Bore size (mm)	Part no.	Contents
40	CHA40-PS	Set of nos. 17, 18, 19, 20, 21, 22
50	CHA50-PS	
63	CHA63-PS	
80	CHA80-PS	
100	CHA100-PS	
125	CHA125-PS	
160	CHA160-PS	

* The seal kit consists of items 17 through 22 and can be ordered using the seal kit number for each bore size.

Tie-rod Nut Tightening Torque

Bore size (mm)	Tightening torque (N·m)
40	10.8 ±1.1
50	24.5 ±2.4
63	24.5 ±2.4
80	38.2 ±3.8
100	38.2 ±3.8
125	68.6 ±6.8
160	107.8 ±10.7

* Gradually tighten the tie-rod nuts equally from opposing corners so that the tightening torques become the same as those listed above.