

Mechanically Jointed Rodless Cylinder/Linear Guide Type

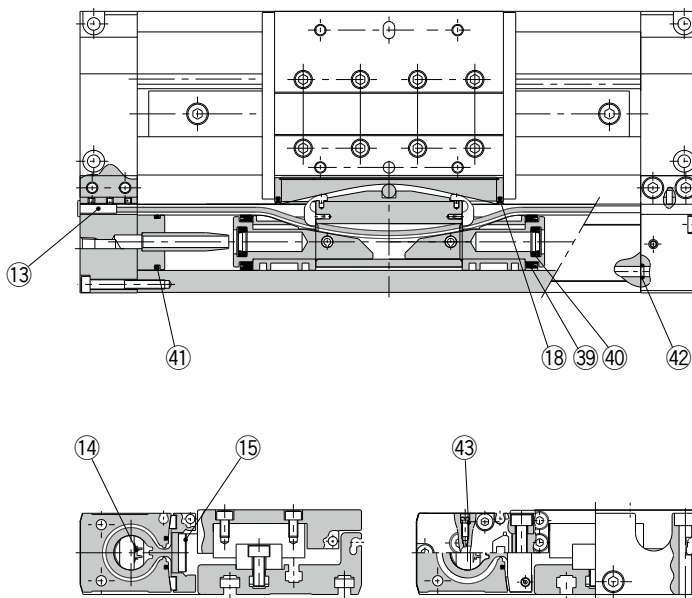
MY2H/HT Series

ø16
ø25
ø40

The Replacement Procedure is on p. 412

Construction

The seal belt has been changed since October 2015 (Lot no. TX).
When replacing the seal belt of a cylinder that was purchased before the change, order the belt clamp shown in the table below only for ø25 and ø40 sizes.
Lot number checking method → p. 770



* The numbers correspond with those in the "Construction" of the MY2H/HT series in the Web Catalog.

Replacement Parts: Seal Kit

No.	Description	Qty.	MY2H16G/MY2HT16G	MY2H25G/MY2HT25G	MY2H40G/MY2HT40G	Note
13	Belt clamp	2	—	MYC25-31-29449B	MYC40-31-29451B	13, 14, 15, and 43 are not included in the seal kit. Order them as required with the individual part numbers provided.
14	Seal belt	1	MY16-16C-Stroke	MY25-16C-Stroke	MY40-16C-Stroke	
15	Dust seal band	1	MY2H16-16B-Stroke	MY2H25-16B-Stroke	MY2H40-16B-Stroke	
43	O-ring	2	KA00309 (ø4 x ø1.8 x ø1.1)	KA00309 (ø4 x ø1.8 x ø1.1)	KA00320 (ø7.15 x ø3.75 x ø1.7)	
18	Scraper	2				
39	Piston seal	2				
40	Cushion seal	2	MY2B16-PS	MY2B25-PS	MY2B40-PS	
41	Tube gasket	2				
42	O-ring	4				

* The seal kit includes 18, 39, 40, 41, and 42. Order the seal kit based on each bore size.

* The seal kit includes a grease pack (10 g).

When 14 and 15 are shipped as single units, a grease pack is included. (10 g per 1000 strokes)

Order with one of the following part numbers when only the grease pack is required.

Grease pack part no.: GR-S-010 (10 g), GR-S-020 (20 g)