

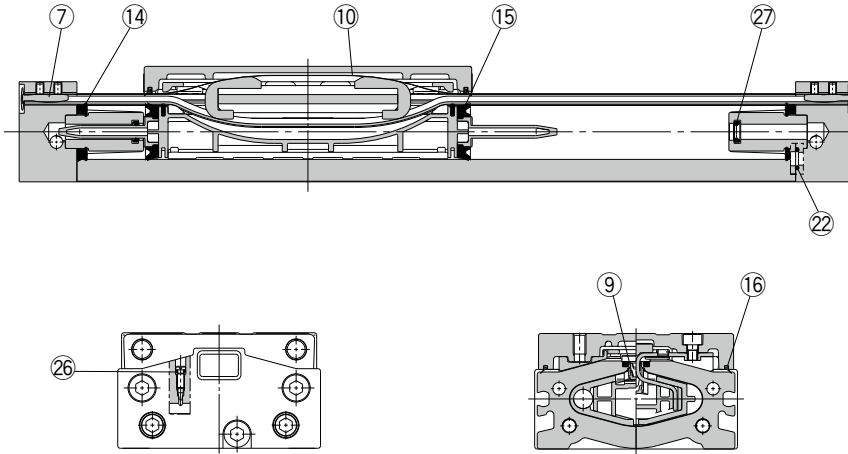
MY3B Series

ø16, ø20, ø25, ø32
ø40, ø50, ø63

The Replacement Procedure is on p. 413

Construction

The seal belt has been changed since June 2015 (Lot no. TT). When replacing the seal belt of a cylinder that was purchased before the change, order the belt clamp shown in the table below only for ø40 and ø50 sizes. Lot number checking method → p. 770



* The numbers correspond with those in the "Construction" of the MY3 series in the **Web Catalog**.

Replacement Parts: Seal Kit (7, 9, 10, 16, and 26 are not included in the seal kit. Order them as required with the individual part numbers provided.)

No.	Description	Material	Qty.	MY3B16	MY3B20	MY3B25	MY3B32	MY3B40	MY3B50	MY3B63
7	Belt clamp	Polybutylene terephthalate	1	—	—	—	—	MYA40-31-R6658B	MYA40-31-R6658B	—
9	Seal belt	Urethane Polyamide	1	MY3B16-16C-Stroke	MY3B20-16C-Stroke	MY3B25-16C-Stroke	MY3B32-16C-Stroke	MY3B40-16C-Stroke	MY3B50-16C-Stroke	MY3B63-16A-Stroke
10	Dust seal band	Stainless steel	1	MY3B16-16B-Stroke	MY3B20-16B-Stroke	MY3B25-16B-Stroke	MY3B32-16B-Stroke	MY3B40-16B-Stroke	MY3B50-16B-Stroke	MY3B63-16B-Stroke
16	Scraper	Polyamide	1	MYA16-15-R6656	MYA20-15-AC594	MYA25-15-R6657	MYA32-15-AC595	MYA40-15-R6658	MYA50-15-AC596	MYA63-15-R6659
26	O-ring	NBR	2	KA00309 (ø4 x ø1.8 x ø1.1)	KA00309 (ø4 x ø1.8 x ø1.1)	KA00309 (ø4 x ø1.8 x ø1.1)	KA00309 (ø4 x ø1.8 x ø1.1)	KA00320 (ø7.15 x ø3.75 x ø1.7)	KA00320 (ø7.15 x ø3.75 x ø1.7)	KA00402 (ø8.3 x ø4.5 x ø1.9)
14	Tube gasket	NBR	2	MY3B16-PS	MY3B20-PS	MY3B25-PS	MY3B32-PS	MY3B40-PS	MY3B50-PS	MY3B63-PS
15	Piston seal	NBR	2							
22	O-ring	NBR	4							
27	Cushion seal	NBR	2							

* The seal kit includes 14, 15, 22, and 27. Order the seal kit based on each bore size.

* The seal kit includes a grease pack (10 g).

When 9 and 10 are shipped as single units, a grease pack is included (10 g per 1000 strokes).

Order with one of the following part numbers when only the grease pack is required.

Grease pack part no.: GR-S-010 (10 g), GR-S-020 (20 g)

* For instructions on how to replace replacement parts/seals, refer to the operation manual.