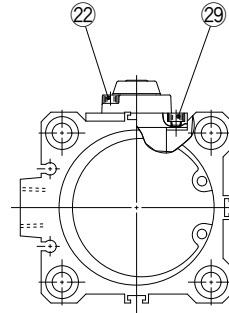
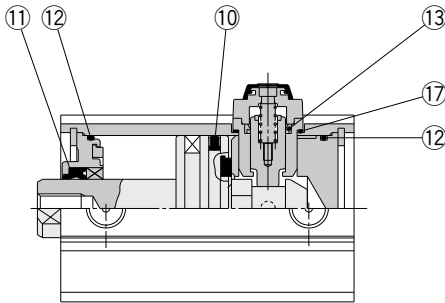


CBQ2 Series

ø20, ø25, ø32, ø40
ø50, ø63, ø80, ø100



Construction



* The numbers correspond with those in the "Construction" of the CQ2 series in the **Web Catalog**.

Seal Kit List

No.	Description	Material	Note
⑩	Piston seal	NBR	
⑪	Rod seal	NBR	
⑫	Tube gasket	NBR	Using 4 pcs. for ø80, ø100
⑬	Lock piston seal	NBR	
⑰	Gasket	NBR	
⑳	Hexagon socket head cap screw	Alloy steel	
㉑	Hexagon socket head cap screw	Alloy steel	

Replacement Parts: Seal Kit

Bore size (mm)	Part no.	Contents
End lock type		
20	CBQ2B20-PS	Set of nos. ⑩, ⑪, ⑫, ⑬, ⑰, ⑳, ㉑, and a grease pack
25	CBQ2B25-PS	
32	CBQ2B32-PS	
40	CBQ2B40-PS	
50	CBQ2B50-PS	
63	CBQ2B63-PS	
80	CBQ2B80-PS	
100	CBQ2B100-PS	

* The seal kit includes ⑩, ⑪, ⑫, ⑬, ⑰, ⑳, ㉑. Order the seal kit based on each bore size.

* The seal kit includes a grease pack (10 g).

Order with one of the following part numbers when only the grease pack is required.

Grease pack part no.: GR-L-005 (5 g), GR-L-010 (10 g)